

**Agilent 6624A
Component Level
Information**

Agilent 6624A

System Power Supply, 40W 4 Outputs

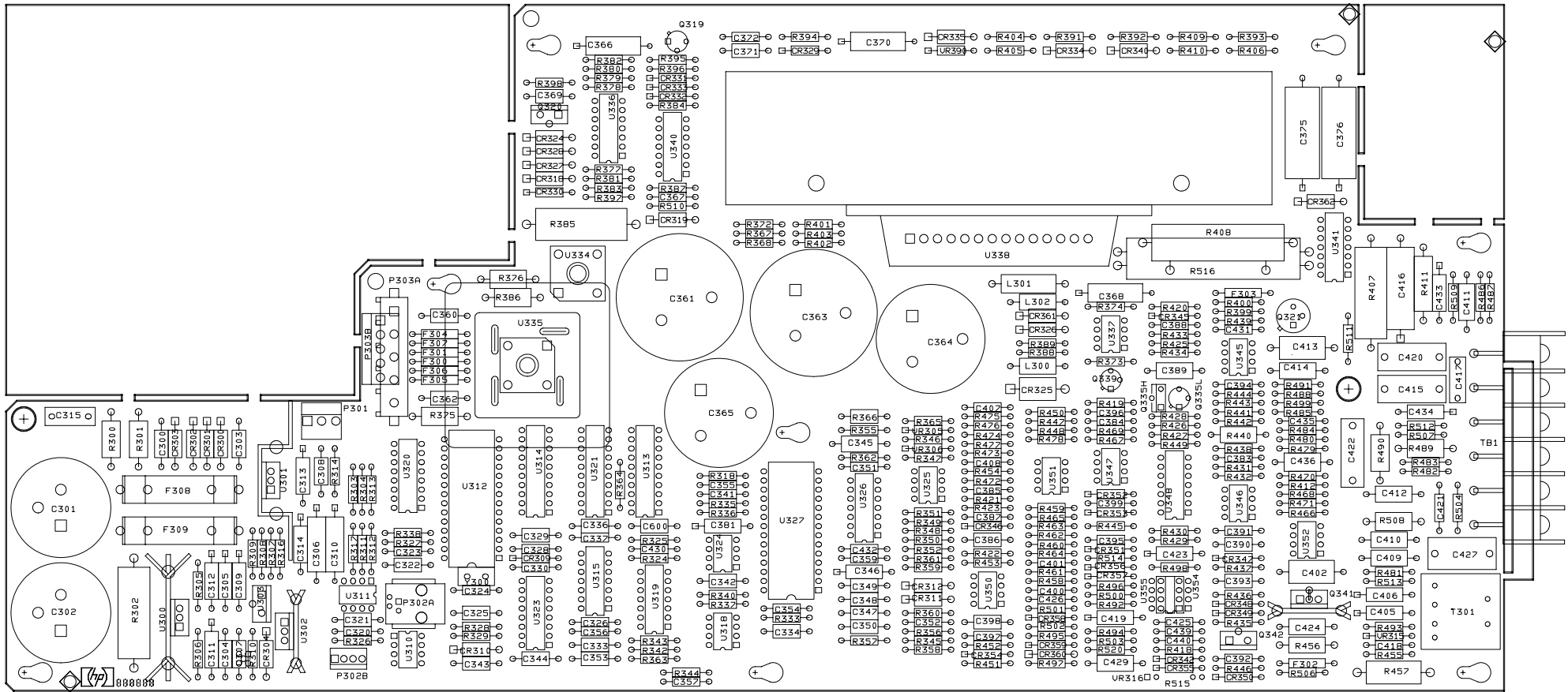
Component Level Information

Information in this packet applies to the following assemblies:

- 1. 06627-60022 40W Output 1 & 2 Board Assembly**
- 2. 06624-60028 40W Output 3 & 4 Board Assembly**
- 3. 5063-3471 GPIB Board Assembly**

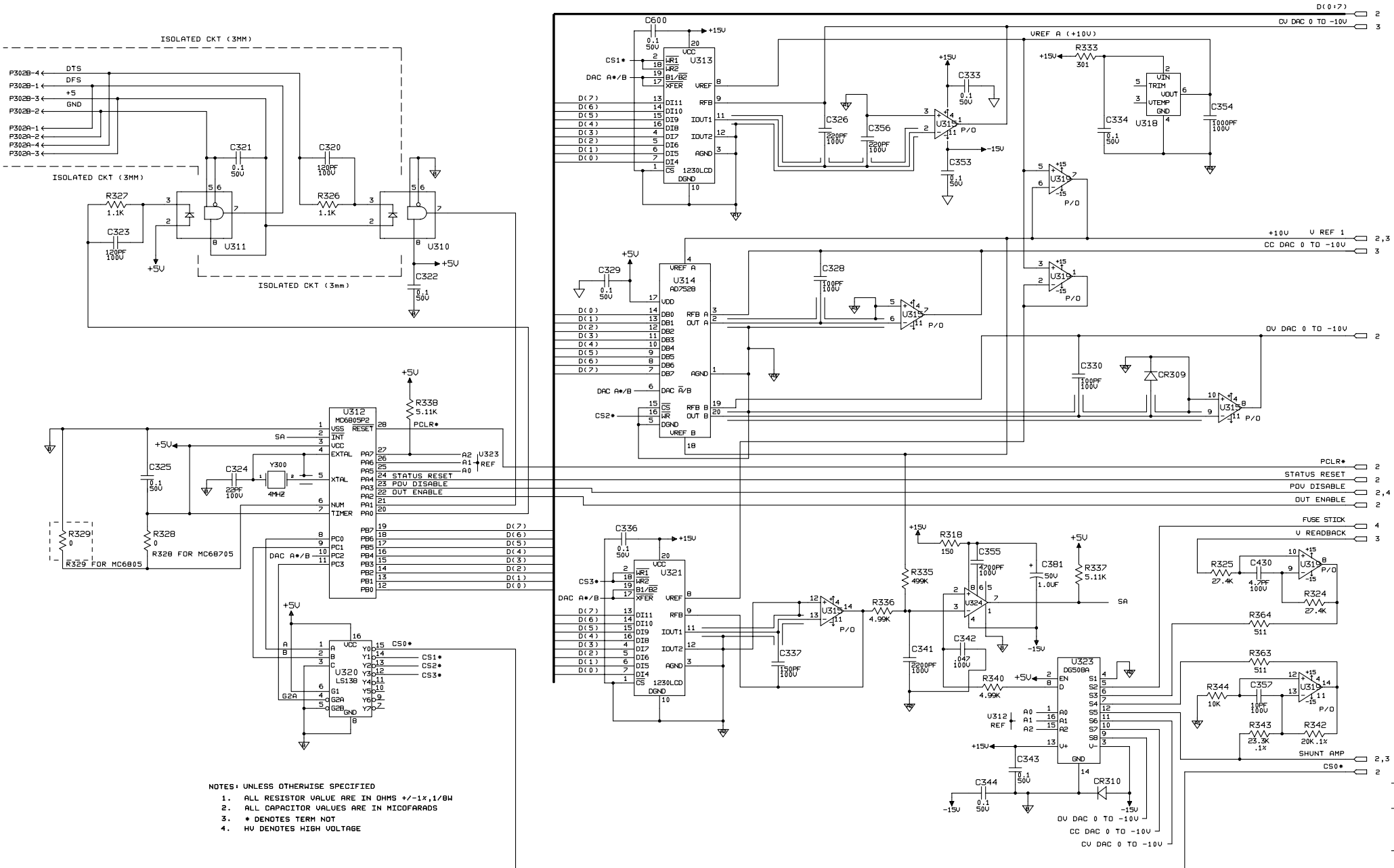
The following is included in this packet:

- 1. Component Locators**
- 2. Schematics**
- 3. Parts lists with Agilent and manufacturer's part numbers**



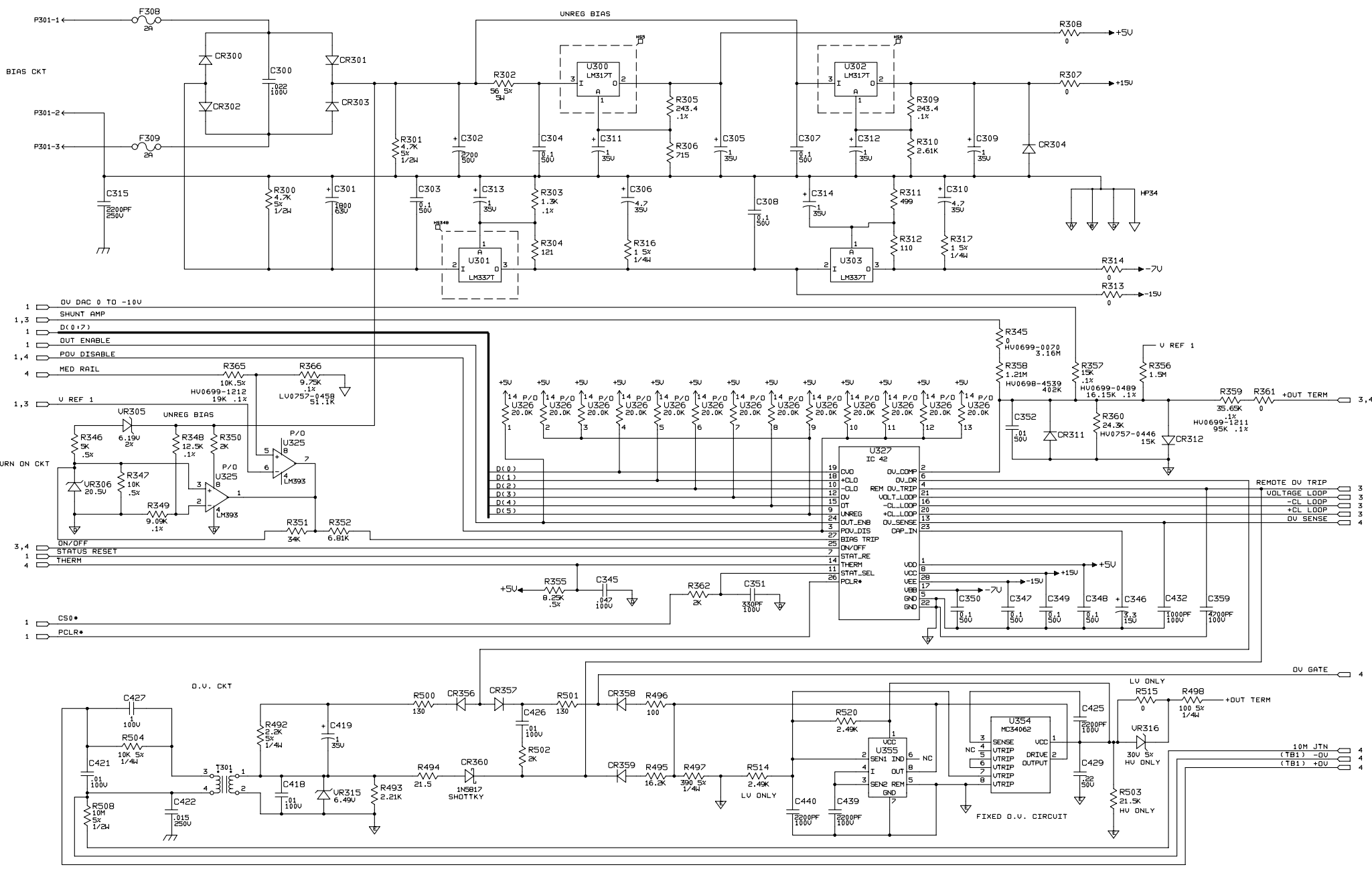
Agilent 6624A
System Power Supply, 40W, 4 Outputs

06627-60022
40W Outputs 1 & 2 Board Assembly
Component Locator

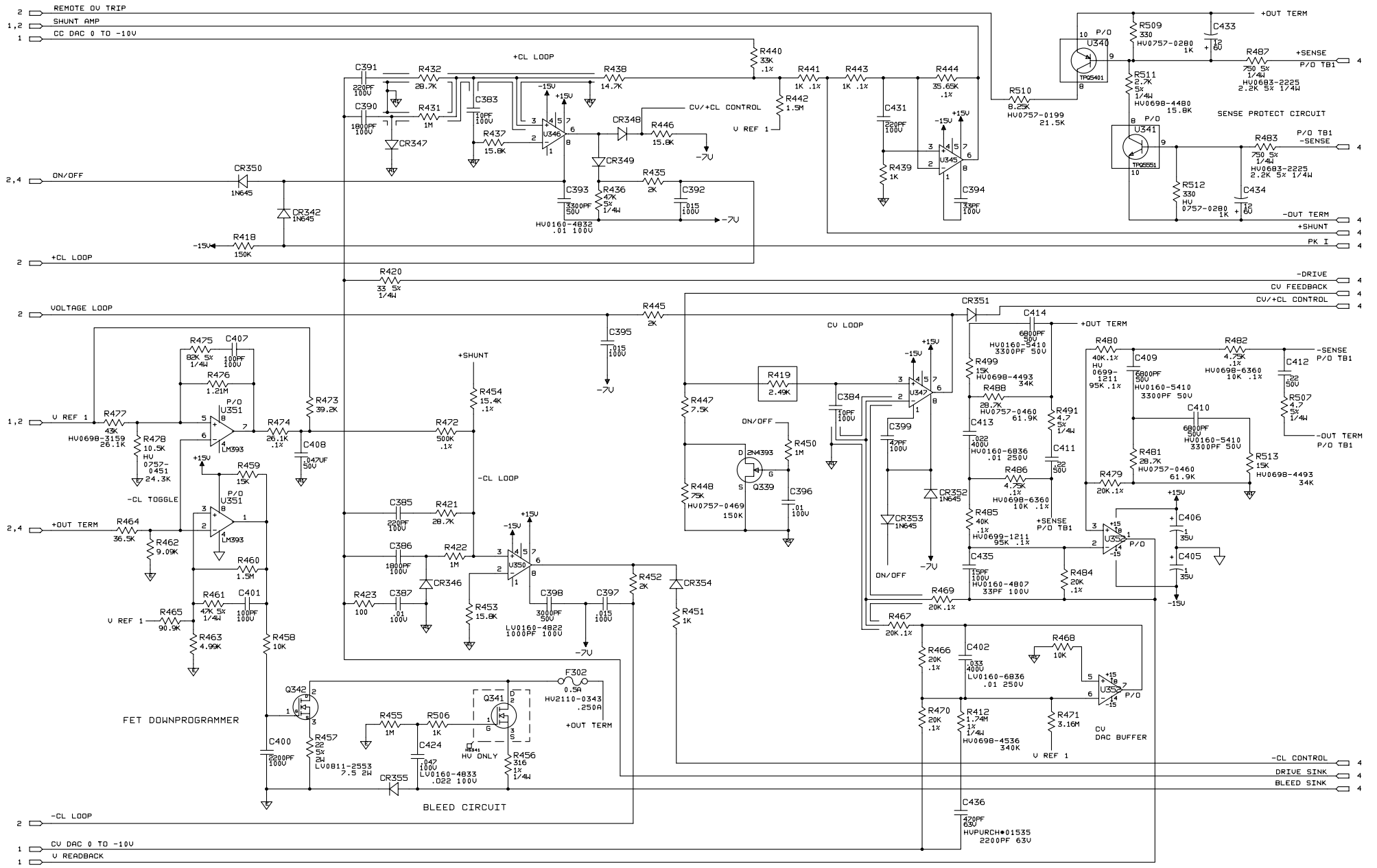


**Agilent 6624A
System Power Supply, 40W, 4 Outputs**

**06627-60022
40W Outputs 1 & 2 Board Assembly
Page 1 of 4**

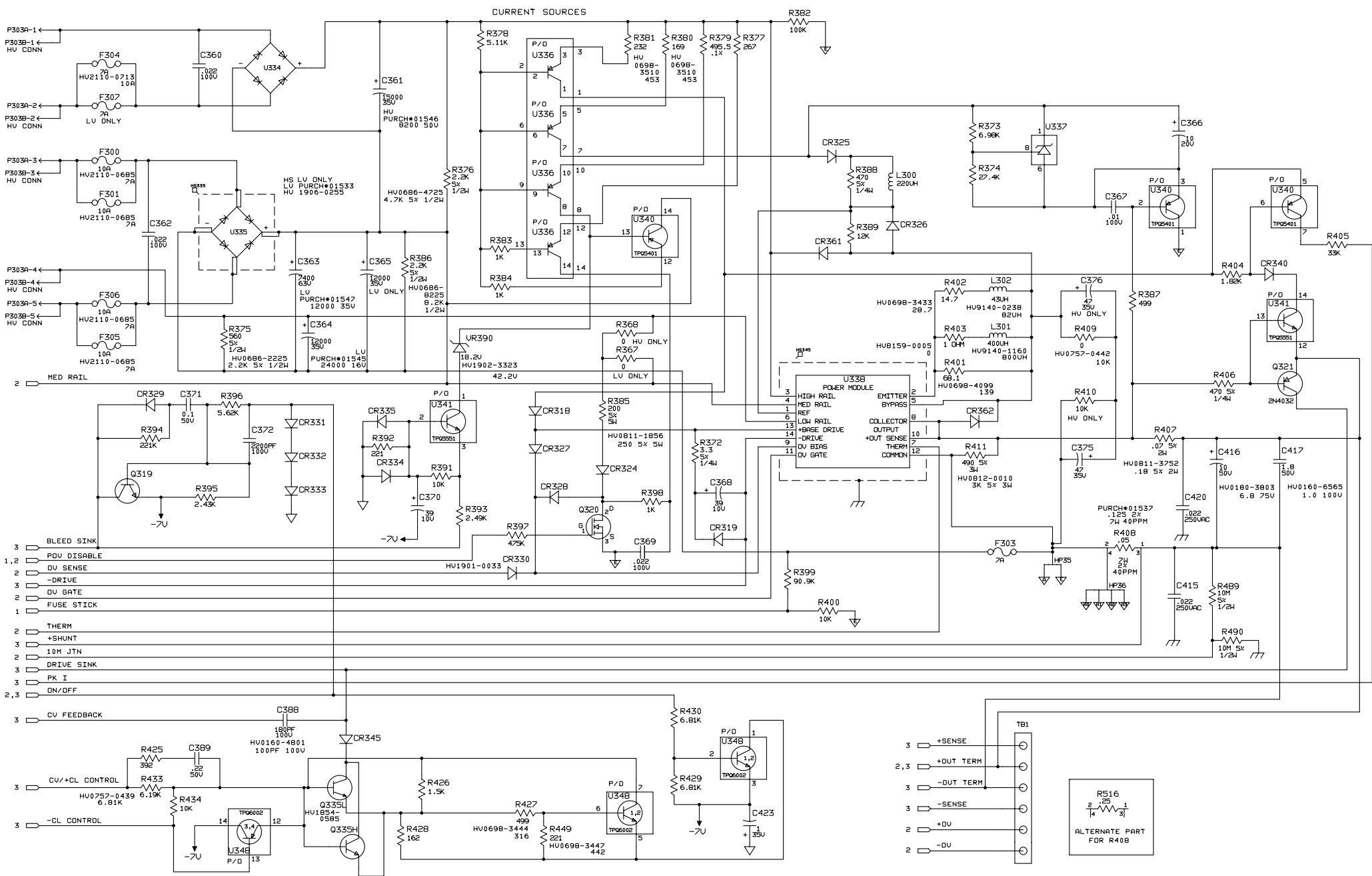


Agilent 6624A
System Power Supply, 40W, 4 Outputs
06627-60022
40W Outputs 1 & 2 Board Assembly
Page 2 of 4



**Agilent 6624A
System Power Supply, 40W, 4 Outputs**

**06627-60022
40W Outputs 1 & 2 Board Assembly
Page 3 of 4**



**Agilent 6624A
System Power Supply, 40W, 4 Outputs**

**06627-60022
40W Outputs 1 & 2 Board Assembly
Page 4 of 4**

06627-60022 40W Outputs 1 and 2 Board Assembly Parts List

| Reference Designator | QTY | Agilent P/N | Description | MPN | Manufacturer |
|--|-----|-------------|--|--|--|
| C1 | 1 | 0180-4577 | CAPACITOR-FIXED 10uF +-20PCT 10V TA | TAJB106M010R 293D106X0010B2E3 ESVB21A106M T491B106M010AS | AVX VISHAY NEC ELECTRONICS KEMET ELECTRONICS |
| C10 | 1 | 0160-5944 | CAP-FXD 0.047uF +-10pct 50 V CER X7R | 08055C473KAT A C0805C473K5RAC C2012X7R1H473K | AVX KEMET ELECTRONICS TDK |
| C13 | 1 | 0180-3751 | CAP-FXD 1uF +-20PCT 35V TA | 293D105X0035B2E3 ESVB21V105M TAJB105M035 | VISHAY NEC ELECTRONICS AVX |
| C2,C3,C4,C7,C8 | 5 | 0160-7828 | CAP-FXD 0.1uF +-10PCT 16 V CER X7R | CC0603KRX7R7BB104 0603YC104KATA C0603C104K4RAC C1608X7R1C104K GRM188R71C104KA01J | YAGEO AVX KEMET ELECTRONICS TDK MURATA MANUFACTURING |
| C300, 360, 362, 369 | 4 | 0160-4833 | CAP-FXD 0.022uF +-10pct 100 V CER X7R | C420C223K1R5CA SA201C223KAAH SA201C223KAAH | KEMET ELECTRONICS AVX KYOCERA |
| C301 | 1 | 0180-4140 | CAP-FXD 1800uF +30pct -10pct 63 V AL-ELCTLT | 0180-4140 | NIPPON CHEMI-CON |
| C302 | 1 | 0180-4141 | CAP-FXD 2700uF +30pct -10pct 50 V AL-ELCTLT | 0180-4141 | NIPPON CHEMI-CON |
| C303, 304, 307, 308, 321, 322, 325, C329, 333, 334, 336, 342-344, C347-350, 353, 371, 600 | 20 | 0160-4835 | CAP-FXD 0.1uF +-10pct 50 V CER X7R | C420C104K5R5CA SA105C104KAAH SA105C104KAAH | KEMET ELECTRONICS AVX KYOCERA |
| C305, 309, 311-314, 405, 406, 419, C423 | 10 | 0180-4129 | CAP-FXD 1uF +-10pct 35 V TA | TARR105K035 T322B105K035AS | AVX KEMET ELECTRONICS |
| C306, 310 | 2 | 0180-4131 | CAP-FXD 4.7uF +-10pct 35 V TA | TARS475K035 T322C475K035AS | AVX KEMET ELECTRONICS |
| C315 | 1 | 0160-4281 | CAP-FXD 2200pF +-20PCT 250 V PPR-MET | MP3Y2- 2200F/250VAC/20%,4X8.5X 13.5, Pitch10mm PME271Y422MR30 | WIMA EVOX/RIFA |

06627-60022 40W Outputs 1 and 2 Board Assembly Parts List

| Reference Designator | QTY | Agilent P/N | Description | MPN | Manufacturer |
|--------------------------|-----|-------------|---------------------------------------|---|--|
| C320, 323 | 2 | 0160-4800 | CAP-FXD 120pF +-5pct 100 V CER C0G | C410C121J1G5CA SA101A121JAA SA101A121JAA | KEMET ELECTRONICS AVX KYOCERA |
| C324 | 1 | 0160-4787 | CAP-FXD 22pF +-5pct 100 V CER C0G | C410C220J1G5CA SA101A220JAA SA101A220JAA | KEMET ELECTRONICS AVX KYOCERA |
| C326, 356, 385, 391, 431 | 5 | 0160-4812 | CAP-FXD 220pF +-5pct 100 V CER C0G | C410C221J1G5CA SA101A221JAAH SA101A221JAAH | KEMET ELECTRONICS AVX KYOCERA |
| C328, 330, 388, 401, 407 | 5 | 0160-4801 | CAP-FXD 100pF +-5pct 100 V CER C0G | C410C101J1G5CA SA102A101JAAH SA102A101JAAH | KEMET ELECTRONICS AVX KYOCERA |
| C337 | 1 | 0160-4814 | CAP-FXD 150pF +-5pct 100 V CER C0G | C410C151J1G5CA SA101A151JAAH SA101A151JAAH | KEMET ELECTRONICS AVX KYOCERA |
| C341, 372, 400, 439, 440 | 5 | 0160-4830 | CAP-FXD 2200pF +-10pct 100 V CER X7R | C410C222K1R5CA SA101C222KAAH SA101C222KAAH | KEMET ELECTRONICS AVX KYOCERA |
| C342, 345, 424 | 3 | 0160-4834 | CAP-FXD 0.047uF +-10pct 100 V CER X7R | C430C473K1R5CA DA13X7R2A473K SA301C473KAAH SA301C473KAAH | KEMET ELECTRONICS TDK AVX KYOCERA |
| C346 | 1 | 0180-2264 | CAP-FXD 3.3uF +-5pct 15 V TA | T110A335J015AS | KEMET ELECTRONICS |
| C351 | 1 | 0160-4810 | CAP-FXD 330pF +-5pct 100 V CER C0G | C410C331J1G5CA SA101A331JAAH SA101A331JAAH | KEMET ELECTRONICS AVX KYOCERA |
| C352 | 1 | 0160-4554 | CAP-FXD 0.01uF +-20pct 50 V CER X7R | C410C103M5R5CA DA12X7R1H103M SA105C103MAAH | KEMET ELECTRONICS TDK AVX |
| C354, 432 | 2 | 0160-4822 | CAP-FXD 1000pF +-5pct 100 V CER C0G | C420C102J1G5CA SA201A102JAAH SA201A102JAAH | KEMET ELECTRONICS AVX KYOCERA |

06627-60022 40W Outputs 1 and 2 Board Assembly Parts List

| Reference Designator | QTY | Agilent P/N | Description | MPN | Manufacturer |
|---------------------------------------|-----|-------------|--|---|--|
| C355, 359 | 2 | 0160-4831 | CAP-FXD 4700pF +-10pct 100 V CER X7R | C410C472K1R5CA SA101C472KAAH SA101C472KAAH | KEMET ELECTRONICS AVX KYOCERA |
| C357, 383, 384 | 3 | 0160-4791 | CAP-FXD 10pF +-5PCT 100V CER C0G | C410C100J1G5CA SA102A100JAA SA102A100JAA | KEMET ELECTRONICS AVX KYOCERA |
| C361 | 1 | 0180-4138 | CAP-FXD 8200uF +30pct -10pct 50 V AL-ELCTLT | 3487DF822S050UFA4 3487DF822S050UFA4 82D1071 | VISHAY BC COMPONENTS VISHAY NIPPON CHEMI-CON |
| C363 | 1 | 0180-4139 | CAP-FXD 7400uF +30pct -10pct 63 V AL-ELCTLT | 3487DF742S063UFA4 3487DF742S063UFA4 82D1072 | VISHAY BC COMPONENTS VISHAY NIPPON CHEMI-CON |
| C364 | 1 | 0180-4137 | CAP-FXD +30pct -10pct 35 V AL-ELCTLT | 3487CF123S035FFA3 3487CF123S035FFA3 82D1070 | VISHAY BC COMPONENTS VISHAY NIPPON CHEMI-CON |
| C366 | 1 | 0180-4136 | CAP-FXD 10uF +-10pct 20 V TA | TARS106K020 T322C106K020AS | AVX KEMET ELECTRONICS |
| C367, 387, 393, 396, 418, 421, 426 | 7 | 0160-4832 | CAP-FXD 0.01uF +-10pct 100 V CER X7R | C410C103K1R5CA SA101C103KAAH SA101C103KAAH | KEMET ELECTRONICS AVX KYOCERA |
| C368, 370 | 2 | 0180-0393 | CAP-FXD 39uF +-10pct 10 V TA | T110B396K010AS TAAB39K10RX | KEMET ELECTRONICS STC |
| C375, 376, 2 PER-HAS POLARITY | 2 | 0180-3804 | CAP-FXD 47uF +-20pct 35 V TA | T110D476M035AS | KEMET ELECTRONICS |
| C381 | 1 | 0180-0230 | CAP-FXD 1uF +-20pct 50 V TA | T110A105M050AS TAAA1R0M50RX | KEMET ELECTRONICS STC |
| C386, 390 | 2 | 0160-4820 | CAP-FXD 1800pF +-5pct 100 V CER C0G | C430C182J1G5CA DA13C0G2A182J SA301A182JAAH SA301A182JAAH | KEMET ELECTRONICS TDK AVX KYOCERA |
| C389, 411, 412, 429 | 4 | 0160-5098 | CAP-FXD 0.22uF +-10pct 50 V CER X7R | C440C224K5R5CA SA405C224KAAH SA405C224KAAH | KEMET ELECTRONICS AVX KYOCERA |

06627-60022 40W Outputs 1 and 2 Board Assembly Parts List

| Reference Designator | QTY | Agilent P/N | Description | MPN | Manufacturer |
|----------------------|-----|-------------|---|---|--|
| C392, 395, 397 | 3 | 0160-5166 | CAP-FXD 0.015uF +-20pct 100 V CER X7R | C420C153M1R5CA DA13X7R2A153M SA201C153MAAH SA201C153MAAH | KEMET ELECTRONICS TDK AVX KYOCERA |
| C394, 435 | 2 | 0160-4807 | CAP-FXD 33pF +-5pct 100 V CER C0G | C410C330J1G5CA SA102A330JAAH SA102A330JAAH | KEMET ELECTRONICS AVX KYOCERA |
| C398 | 1 | 0160-5409 | CAP-FXD 3000pF +-5pct 50 V CER C0G | SA305A302JAAH | AVX |
| C399 | 1 | 0160-4805 | CAP-FXD 47pF +-5pct 100 V CER C0G | C410C470J1G5CA SA102A470JAAH SA102A470JAAH | KEMET ELECTRONICS AVX KYOCERA |
| C402 | 1 | 0160-7319 | CAP-FXD 0.033uF +-5pct 100 V POLYP-FL | PT12D333J | ELECTRONIC CONCEPTS |
| C408 | 1 | 0160-5422 | CAP-FXD 0.047uF +-20pct 50 V CER X7R | C420C473M5R5CA DA13X7R1H473M SA205C473MAAH | KEMET ELECTRONICS TDK AVX |
| C409, 410, 414 | 3 | 0160-5410 | CAP-FXD 3300pF +-5pct 50 V CER C0G | C430C332J5GCA SA305A332JAAH | KEMET ELECTRONICS AVX |
| C413 | 1 | 0160-7320 | CAP-FXD 0.01uF +-5pct 100 V POLYP-FL | PT12D103J | ELECTRONIC CONCEPTS |
| C415, 420 | 2 | 0160-4048 | CAP-FXD 0.022uF +-20PCT 250V PPR-MET | PME271Y522MR30 MP3-Y2 0.022/20/250 | EVOX/RIFA WIMA |
| C416, POLARITY | 1 | 0180-3803 | CAP-FXD 6.8uF +-20pct 75 V TA | T110C685M075AS | KEMET ELECTRONICS |
| C417 | 1 | 0160-6565 | CAP 1.0UF 100VDC | C350C105M1R5CA SR501C105MAT | KEMET ELECTRONICS AVX |
| C422 | 1 | 0160-3969 | CAP-FXD 0.015uF +-20pct 250 V PPR-MET | PME271Y515MR30 | EVOX/RIFA |
| C427 | 1 | 0161-0642 | CAP-FXD 1uF +-10pct 100 V POLYPH-MET FILM | SMR15105K100B06L4 | EVOX/RIFA |
| C430 | 1 | 0160-4795 | CAP-FXD 4.7pF +-10.64pct 100 V CER C0G | C410C479D1G5CA SA102A4R7DAAH SA102A4R7DAAH | KEMET ELECTRONICS AVX KYOCERA |
| C433, 434 | 2 | 0180-2623 | CAP-FXD 12uF +-10pct 6 V TA | T140A126K006AS | KEMET ELECTRONICS |
| C436 | 1 | 0160-6999 | CAP-FXD 2200pF +-5pct 630 V POLYE-MET | HEW-841-2200PF+/- 5%630V MKT1813-222/634 | AMERICAN SHIZUKI VISHAY |

06627-60022 40W Outputs 1 and 2 Board Assembly Parts List

| Reference Designator | QTY | Agilent P/N | Description | MPN | Manufacturer |
|---|-----|-------------|---|--|--|
| C5,C6 | 2 | 0160-8529 | CAP-FXD 0.047uF +-10pct 25 V CER X7R | C1608X7R1E473K GRM188R71E473KA01_ C0603C473K3RAC | TDK MURATA MANUFACTURING KEMET ELECTRONICS |
| CR009 | 1 | 1906-0301 | DIODE-CT-RECT DUAL 200V 16A TO-220AB | MUR1620CTG MUR1620CT | ON SEMICONDUCTOR VISHAY |
| CR11, CR12 | 2 | 1901-1421 | DIODE-PWR RECT 200V 3A 25NS DO-214AB | ES3D MURS320T3G | VISHAY ON SEMICONDUCTOR |
| CR2 | 1 | 1901-1420 | DIODE-PWR-S 60V 20A | MBRB2060CT_G | ON SEMICONDUCTOR |
| CR300-304, 310-312, 318, 319, 324, CR326-328, 334, 335, 340, 361, 362 | 19 | 1901-0731 | DIODE-PWR RECT 400V 1A | 1N4004G 1901-0731 GP10G044 | ON SEMICONDUCTOR TEMIC TELEFUNKEN MICROELECTRON VISHAY |
| CR309, 329, 331-333, 345-349, 351, CR354-359 | 17 | 1901-0050 | DIODE-SWITCHING 80V 200MA 2NS DO-35 | D3D7_FDH6308C | FAIRCHILD SEMICONDUCTOR |
| CR325, POLARITY | 1 | 1901-0719 | DIODE-PWR RECT 400V 3A 300NS | MR854RLG | ON SEMICONDUCTOR |
| CR330, 342, 350, 352, 353 | 5 | 1901-0033 | DIODE-GEN PRP 180V 200MA DO-35 | 1MD2-FDH3369C | FAIRCHILD SEMICONDUCTOR |
| CR360 | 1 | 1901-1080 | DIODE-SCHOTTKY 20V 1A | 1N5817RLG | ON SEMICONDUCTOR |
| CR8 | 1 | 1906-0291 | DIODE-DUAL 70V 100MA T0-236AA | BAV99 BAV99 BAV99LT1G BAV99____X_ BAV99 | PHILIPS FAIRCHILD SEMICONDUCTOR ON SEMICONDUCTOR INFINEON TECHNOLOGIES NXP |
| D1 | 1 | 1900-0202 | DIODE-SCHOTTKY SM SIG | HSMS-2825-__G | AVAGO TECHNOLOGIES |
| D2 | 1 | 1906-0395 | DIODE-DUAL 75V TO-253 | BAS28 BAS28____X_ BAS28 | PHILIPS INFINEON TECHNOLOGIES NXP |
| D3,D4 | 2 | 1906-0291 | DIODE-DUAL 70V 100MA T0-236AA | BAV99 BAV99 BAV99LT1G BAV99____X_ BAV99 | PHILIPS FAIRCHILD SEMICONDUCTOR ON SEMICONDUCTOR INFINEON TECHNOLOGIES NXP |
| F300, 304, 305 | 3 | 2110-0916 | FUSE-SUBMINIATURE 7A 125V TD AX UL-REC | 0473007__L | LITTELFUSE |
| F302 | 1 | 2110-0763 | FUSE-SUBMINIATURE .25A 125V NTD AX | 0251.250__L | LITTELFUSE |
| F303 | 1 | 2110-0685 | FUSE-SUBMINIATURE 7A 125V NTD AX UL-LST | 0251007__L | LITTELFUSE |
| F308, 309 | 2 | 2110-0303 | FUSE (INCH) 2A 250V TD FE UL-LST | 60.020 MDL-2 | ELECTREY COOPER INDUSTRIES |

06627-60022 40W Outputs 1 and 2 Board Assembly Parts List

| Reference Designator | QTY | Agilent P/N | Description | MPN | Manufacturer |
|----------------------|-----|-------------|--|---|---|
| FC308, 309 | 4 | 2110-1107 | FUHLR-CLP-TYP | 1A1907-03 | COOPER INDUSTRIES |
| FLW U338 | 2 | 3050-0893 | WASHER-FL MTLC 4.0 4.4-MM-ID 8.85-MM-OD ; W/ | 3050-0893 | HOUSE OF METRICS |
| J1 | 1 | 1252-3700 | CONN-POST TYPE .150-PIN-SPCG-MTG-END | | |
| J1,J2 | 2 | 1253-6982 | CONN-HDR VERT SMT 14-PIN 2.54MM 1-ROW | TSM-114-01-T-SV | SAMTEC |
| J3 | 1 | 1251-6515 | CONN-HDR VERT 6-PIN 2.54MM 2-ROW | 67996-106HLF | FCI FRAMATOME BERG |
| L300 | 1 | 9140-0129 | INDUCTOR RF-CH-MLD 220uH +-5pct | 1537-92 15M223J 9210-92 IM-4 220UH 5% | AMERICAN PRECISION INDUSTRIES GOWANDA ELECTRONICS ARROW ELECTRONICS VISHAY |
| L302 | 1 | 9100-1640 | INDUCTOR RF-CH-MLD 160uH +-5pct | 1537-86 15M163J IM-4 160UH 5% | AMERICAN PRECISION INDUSTRIES GOWANDA ELECTRONICS VISHAY |
| L310 REF Q342 | 1 | 9170-0894 | CORE-SHIELDING BEAD | 4330-030-33051 | FERROXCUBE USA |
| LW U338 | 2 | 2190-0586 | WASHER-LK HLCL 4.0 4.1-MM-ID 7.6-MM-OD | A2WASPSR0158 | HOUSE OF METRICS |
| M1 | 1 | 5022-1210 | ALPS-42 CHIP PCB | | |
| P301 | 1 | 1251-7070 | CONN-HEADER VERT 3-PIN .156 W/BRD LOCKS | 640445-3 | TYCO ELECTRONICS AMP |
| P302 | 1 | 1252-2493 | MODULAR PHONE RCPT PERPINDICULAR MOUNT | 5520257-2 | TYCO ELECTRONICS AMP |
| P303 | 1 | 1252-1670 | CONN-POST TYPE .156-PIN-SPCG-MTG-END | 640445-5 | TYCO ELECTRONICS AMP |
| Q001, Q006 | 2 | 1854-1174 | XSTR-NPN SI | TIP35C | ON SEMICONDUCTOR |
| Q001-3, 6 CR009a | 5 | 0515-0380 | SCREW-MACHINE ASSY M4 X 0.7 10MM-LG | 0515-0380 0515-0380 0515-0380 | BOSSARD ILLINOIS TOOL WORKS TEXTRON |
| Q002 | 1 | 1853-0710 | TRANSISTOR PNP SI PD=100W | 2SA1186 | SANKEN ELECTRIC |
| Q003 | 1 | 1853-0656 | XSTR-PNP SI | TIP36C | ON SEMICONDUCTOR |
| Q2,Q5 | 2 | 1853-0525 | TRANSISTOR PNP SI TO-236AA PD=200MW | MMBT2907 PMBT2907A MMBT2907ALT1G PMBT2907A | FAIRCHILD SEMICONDUCTOR PHILIPS ON SEMICONDUCTOR NXP |
| Q319, 2N2222A | 1 | 1854-0477 | TRANSISTOR NPN PN2222A SI TO-92 PD=625MW | PN2222A PN2222ABU | CENTRAL SEMICONDUCTOR FAIRCHILD SEMICONDUCTOR |
| Q321 | 1 | 1853-0422 | TRANSISTOR PNP 2N4033 SI TO-39 PD=800MW | 2N4033 2N4033 | CENTRAL SEMICONDUCTOR STMICROELECTRONICS |
| Q335 (182), POLARITY | 1 | 1854-0585 | TRANSISTOR NPN SI PD=1.5W FT=50MHZ | MJE182 | ON SEMICONDUCTOR |

06627-60022 40W Outputs 1 and 2 Board Assembly Parts List

| Reference Designator | QTY | Agilent P/N | Description | MPN | Manufacturer |
|----------------------|-----|-------------|---|---|--|
| Q339, 2N 4393 | 1 | 1855-0414 | TRANSISTOR J-FET 2N4393 N-CHAN D-MODE | 1855-0414 2N4393 | SOLITRON VISHAY |
| Q341, REP 2N12L | 1 | 5060-3211 | ASSY-HS RFP2N12L | | |
| Q341a | 1 | 1205-0282 | HEAT SINK PLSTC-PWR-CS | 6025D | AAVID THERMALLOY |
| Q341b | 1 | 0361-1641 | EYELET-RLD-FLG .121-OD .187-LG .0095-THK | GS 4-6 STEEL-TIN PLATE | STIMPSON EDWIN B |
| Q341c | 1 | 1855-1886 | TRANSISTOR-MOSFET N-CHAN E-MODE SI TO-220 | FQP7N10L | FAIRCHILD SEMICONDUCTOR |
| Q341d | 1 | 1855-1886 | TRANSISTOR-MOSFET N-CHAN E-MODE SI TO-220 | FQP7N10L | FAIRCHILD SEMICONDUCTOR |
| Q342 | 1 | 1855-0549 | TRANSISTOR MOSFET N-CHAN E-MODE TO-220 | IRF510PBF | VISHAY |
| Q4, Q7, Q8 | 3 | 1854-1173 | TRANSISTOR NPN SI TO-252AA PD=1.75W | KSH44H11TM MJD44H11G | FAIRCHILD SEMICONDUCTOR ON SEMICONDUCTOR |
| Q5 | 1 | 1853-0655 | TRANSISTOR PNP SI TO-252AA PD FT 40 MHZ TYP | KSH45H11 MJD45H11T4G | FAIRCHILD SEMICONDUCTOR ON SEMICONDUCTOR |
| Q6 | 1 | 1854-1053 | TRANSISTOR NPN SI SOT-23 (TO-236AB) | CMPT2222A MMBT2222A PMBT2222A SST2222A MMBT2222ALT1G PMBT2222A | CENTRAL SEMICONDUCTOR FAIRCHILD SEMICONDUCTOR PHILIPS ROHM ON SEMICONDUCTOR NXP |
| R1,R4 | 2 | 1810-1673 | NET-RES 4 100.0K OHM | CN1J4T__104J 235003410104 MNR14FOABJ104 RAC16-4-D104JBT | KOA YAGEO ROHM KAMAYA |
| R11, R2, R4, R9 | 4 | 0699-1364 | RESISTOR 68.1 +-1pct .125W TKF TC=0+-100 | CRCW120668R1FKE_ RK73H2BT_68R1F MCR18__F68R1 232272466819 | VISHAY KOA ROHM YAGEO |
| R11,R12 | 2 | 0699-3954 | RESISTOR 1.96K +-1pct .063W TKF TC=0+-200 | CRCW06031K96FKE_ RK73H1JT_1961F 232270461962L MCR03__FX1961 | VISHAY KOA YAGEO ROHM |

06627-60022 40W Outputs 1 and 2 Board Assembly Parts List

| Reference Designator | QTY | Agilent P/N | Description | MPN | Manufacturer |
|---|-----|-------------|---|---|---|
| R12 | 1 | 0699-1415 | RESISTOR 100 +-1pct .125W TKF TC=0+-100 | CRCW1206100RFKE_ RK73H2BT_1000F MCR18___F1000 232272461001L | VISHAY KOA ROHM YAGEO |
| R13 | 1 | 0699-1376 | RESISTOR 2.15K +-1pct .125W TKF TC=0+-100 | CRCW12062K15FKE_ RK73H2BT_2151F MCR18___F2151 232272462152 | VISHAY KOA ROHM YAGEO |
| R13,R40 | 2 | 1810-1645 | NET-RES 4 10.0K OHM 8-PIN | 742C083103J 235003410103L RAC164D103JB CN1J4T__103J CRA06S0803103J MNR14E0APJ103 | CTS YAGEO KAMAYA KOA VISHAY ROHM |
| R13a | 1 | 1906-0352 | DIODE-DUAL 200V 6A TO-252AA | MURD620CTG | ON SEMICONDUCTOR |
| R14,R15,R16,R22,R25,R27, R28,R30,R32,R35,R41,R49 | 12 | 0699-3970 | RESISTOR 10K +-1pct .063W TKF TC=0+-200 | CRCW060310K0FKE_ RK73H1JT_1002F 232270461003L MCR03___FX1002 | VISHAY KOA YAGEO ROHM |
| R17 | 1 | 0699-3931 | RESISTOR 196 +-1pct .063W TKF TC=0+-200 | CRCW0603196RFKE_ RK73H1JT_1960F 232270461961L MCR03___FX1960 | VISHAY KOA YAGEO ROHM |
| R18 | 1 | 0699-3993 | RESISTOR 100K +-1pct .063W TKF TC=0+-200 | CRCW0603100KFKE_ RK73H1JT_1003F 232270461004L MCR03___FX1003 | VISHAY KOA YAGEO ROHM |
| R19 | 1 | 0699-4003 | RESISTOR 261K +-1pct .063W TKF TC=0+-200 | RK73H1JT_2613F MCR03___FX2613 MC06032613-FT RC0603F_-_261KL | KOA ROHM RCD COMPONENTS YAGEO |
| R2 | 1 | 0699-3941 | RESISTOR 511 +-1pct .063W TKF TC=0+-200 | CRCW0603511RFKE_ RK73H1JT_5110F 232270465111L MCR03___FX5110 | VISHAY KOA YAGEO ROHM |

06627-60022 40W Outputs 1 and 2 Board Assembly Parts List

| Reference Designator | QTY | Agilent P/N | Description | MPN | Manufacturer |
|----------------------|-----|-------------|---|--|---------------------------------------|
| R20 | 1 | 0699-3998 | RESISTOR 162K +-1pct .063W TKF TC=0+-200 | CRCW0603162KFKE_ RK73H1JT_1623F MCR03__FX1623 232270461624 | VISHAY KOA ROHM YAGEO |
| R21 | 1 | 0699-4002 | RESISTOR 237K +-1pct .063W TKF TC=0+-200 | RK73H1JT_2373F MCR03__FX2373 232270462374 | KOA ROHM YAGEO |
| R23 | 1 | 0699-3936 | RESISTOR 316 +-1pct .063W TKF TC=0+-200 | CRCW0603316RFKE_ RK73H1JT_3160F 232270463161L MCR03__FX3160 | VISHAY KOA YAGEO ROHM |
| R29,R31,R33,R34 | 4 | 0699-3982 | RESISTOR 31.6K +-1pct .063W TKF TC=0+-200 | CRCW060331K6FKE_ RK73H1JT_3162F 2322704X3163L MCR03__FX3162 | VISHAY KOA YAGEO ROHM |
| R3 | 1 | 0699-2776 | RESISTOR-FXD 1 OHM +-5PCT 0.25W TC=0+-250 | MCR18__J1R0 232272461008 | ROHM YAGEO |
| R3,R44,R50,R52 | 4 | 0699-3987 | RESISTOR 51.1K +-1pct .063W TKF TC=0+-200 | CRCW060351K1FKE_ CR16-5112-FL RK73H1JT_5112F 232270465113L MCR03__FX5112 | VISHAY ASJ KOA YAGEO ROHM |
| R300, 301, 376 | 3 | 0686-4725 | RES-FXD 4.7K +-5PCT 0.5W CC TC 0 +647 | RC 1/24R7K5% | SEI ELECTRONICS |
| R302 | 1 | 0811-0610 | RESISTOR 56 +-5pct 5W PWI TC=0+-20 | RS-556 5 T5 | VISHAY TT ELECTRONICS |
| R303 | 1 | 0698-8911 | RESISTOR 1.3K +-0.1pct .125W TF TC=0+-25 | B0207E1K300B CMF-551301BT-9 | VISHAY BC COMPONENTS VISHAY |
| R304 | 1 | 0757-0403 | RESISTOR 121 +-1pct .125W TF TC=0+-100 | 5053HD121R0F CMF-551210FT-1 | VISHAY BC COMPONENTS VISHAY |
| R305, 309 | 2 | 0698-8672 | RESISTOR 243.4 +-0.1pct .125W TF TC=0+-25 | B0207E243R4B CMF-55243R4BT-9 | VISHAY BC COMPONENTS VISHAY |

06627-60022 40W Outputs 1 and 2 Board Assembly Parts List

| Reference Designator | QTY | Agilent P/N | Description | MPN | Manufacturer |
|---|-----|-------------|--|---|---|
| R306 | 1 | 0698-3700 | RESISTOR 715 +-1pct .125W TF TC=0+-100 | 5053HD715R0F CMF-557150FT-1 NK4H.125W1%+/- 100PPM715R0 | VISHAY BC COMPONENTS VISHAY E-SIL COMPONENTS |
| R307, 308, 313, 314, 329, 361, 368, R402 | 8 | 8159-0005 | RESISTOR 0 CWM | 106 L-2007-1 YZO 1/4 Z-25 Z25C | MICRO-OHM GETTIG ENGRG & MFG TT ELECTRONICS ASJ KOA |
| R310 | 1 | 0698-0085 | RESISTOR 2.61K +-1pct .25W TF TC=0+-100 | 5043ED2K610F CMF-552611FT-1 NK4H.25W1%+/- 100PPM2611 | VISHAY BC COMPONENTS VISHAY E-SIL COMPONENTS |
| R311, 387 | 2 | 0698-4123 | RESISTOR 499 +-1pct .125W TF TC=0+-100 | 5053HD499R0F CMF-554990FT-1 NK4H.125W1%+/- 100PPM499R0 | VISHAY BC COMPONENTS VISHAY E-SIL COMPONENTS |
| R312 | 1 | 0757-0402 | RESISTOR 110 +-1pct .125W TF TC=0+-100 | 5053HD110R0F CMF-551100FT-1 NK4H.125W1%+/- 100PPM110R0 | VISHAY BC COMPONENTS VISHAY E-SIL COMPONENTS |
| R316, 317 | 2 | 0699-0208 | RES-FXD 1 OHM +-5PCT 0.25W CF TC 0+-300 | CF1/4-1R0J LCA0207 1 5% | ASJ VISHAY |
| R318 | 1 | 0757-0284 | RESISTOR 150 +-1pct .125W TF TC=0+-100 | 5053HD150R0F CMF-551500FT-1 NK4H.125W1%+/- 100PPM150R0 | VISHAY BC COMPONENTS VISHAY E-SIL COMPONENTS |
| R324, 325, 374 | 3 | 0757-0452 | RESISTOR 27.4K +-1pct .125W TF TC=0+-100 | 5053HD27K40F CMF-552742FT-1 NK4H.125W1%+/- 100PPM2742 | VISHAY BC COMPONENTS VISHAY E-SIL COMPONENTS |
| R326, 327 | 2 | 0757-0424 | RESISTOR 1.1K +-1pct .125W TF TC=0+-100 | 5053HD1K100F CMF-551101FT-1 NK4H.125W1%+/- 100PPM1101 | VISHAY BC COMPONENTS VISHAY E-SIL COMPONENTS |

06627-60022 40W Outputs 1 and 2 Board Assembly Parts List

| Reference Designator | QTY | Agilent P/N | Description | MPN | Manufacturer |
|---|-----|-------------|--|---|---|
| R333 | 1 | 0757-0410 | RESISTOR 301 +-1pct .125W TF TC=0+-100 | 5053HD301R0F CMF-553010FT-1 NK4H.125W1%+/- 100PPM301R0 | VISHAY BC COMPONENTS VISHAY E-SIL COMPONENTS |
| R335 | 1 | 0698-3215 | RESISTOR 499K +-1pct .125W TF TC=0+-100 | 5053HD499K0F CMF-554993FT-1 | VISHAY BC COMPONENTS VISHAY |
| R336, 340, 463 | 3 | 0698-3279 | RESISTOR 4.99K +-1pct .125W TF TC=0+-100 | 5053HD4K990F CMF-554991FT-1 NK4H.125W1%+/- 100PPM4991 | VISHAY BC COMPONENTS VISHAY E-SIL COMPONENTS |
| R337, 338, 378 | 3 | 0757-0438 | RESISTOR 5.11K +-1pct .125W TF TC=0+-100 | 5053HD5K110F CMF-555111FT-1 NK4H.125W1%+/- 100PPM5111 | VISHAY BC COMPONENTS VISHAY E-SIL COMPONENTS |
| R342, 466, 467, 469, 470, 479, 484 | 7 | 0699-0118 | RESISTOR 20K +-0.1pct .1W TF TC=0+-5 | PR1/10T520K0.1% PTF-5620K0BT-16 UXB0207-05 0,1% RP 20K | PRECISION RESISTIVE PRODUCTS VISHAY VISHAY BC COMPONENTS |
| R343 | 1 | 0698-8494 | RESISTOR 23.3K +-0.1pct .1W TF TC=0+4 | 232214191509 PR1/10TC423K3.1% PTF-5623K3B | VISHAY BC COMPONENTS PRECISION RESISTIVE PRODUCTS VISHAY |
| R344, 391, 400, 409, 410, 434, 458, R468 | 8 | 0757-0442 | RESISTOR 10K +-1pct .125W TF TC=0+-100 | 5053HD10K00F CMF-551002FT-1 NK4H.125W1%+/- 100PPM1002 | VISHAY BC COMPONENTS VISHAY E-SIL COMPONENTS |
| R345, 471 | 2 | 0699-0070 | RESISTOR 3.16M +-1pct .125W TF TC=0+-100 | B0207C3M160F CMF-553164FT-1 | VISHAY BC COMPONENTS VISHAY |
| R346 | 1 | 0698-5579 | RESISTOR 5K +-0.5pct .125W TF TC=0+-100 | B0207C5K000C CMF-555001DT-1 | VISHAY BC COMPONENTS VISHAY |
| R347 | 1 | 0698-3329 | RESISTOR 10K +-0.5pct .125W TF TC=0+-100 | B0207C10K00D CMF-551002DT-1 | VISHAY BC COMPONENTS VISHAY |

06627-60022 40W Outputs 1 and 2 Board Assembly Parts List

| Reference Designator | QTY | Agilent P/N | Description | MPN | Manufacturer |
|--------------------------|-----|-------------|--|--|---|
| R348 | 1 | 0698-6533 | RESISTOR 12.5K +-0.1pct .125W TF TC=0+-25 | B0207E12K50B CMF-551252BT-9 | VISHAY BC COMPONENTS VISHAY |
| R349 | 1 | 0698-7929 | RESISTOR 9.09K +-0.1pct .125W TF TC=0+-50 | B0207C9K090B CMF-559091BT-2 | VISHAY BC COMPONENTS VISHAY |
| R350, 362, 435, 452, 502 | 5 | 0757-0283 | RESISTOR 2K +-1pct .125W TF TC=0+-100 | 5053HD2K000F CMF-552001FT-1 NK4H.125W1%+/- 100PPM2001 | VISHAY BC COMPONENTS VISHAY E-SIL COMPONENTS |
| R351, 499, 513 | 3 | 0698-4493 | RESISTOR 34K +-1pct .125W TF TC=0+-100 | 5053HD34K00F CMF-553402FT-1 NK4H.125W1%+/- 100PPM3402 | VISHAY BC COMPONENTS VISHAY E-SIL COMPONENTS |
| R352, 429, 430, 433 | 4 | 0757-0439 | RESISTOR 6.81K +-1pct .125W TF TC=0+-100 | 5053HD6K810F CMF-556811FT-1 NK4H.125W1%+/- 100PPM6811 | VISHAY BC COMPONENTS VISHAY E-SIL COMPONENTS |
| R355 | 1 | 0698-3328 | RESISTOR 8.25K +-0.5pct .125W TF TC=0+-100 | B0207C8K250D CMF-558251DT-1 | VISHAY BC COMPONENTS VISHAY |
| R356, 442, 460 | 3 | 0698-8913 | RESISTOR 1.5M +-1pct .125W TF TC=0+-100 | CMF-551504FT-1 | VISHAY |
| R357 | 1 | 0699-0489 | RESISTOR 16.15K +-0.1pct .1W TF TC=0+-5 | PR1/10T516K15.1% PTF-5616K15BT-16 UXBA16K150B | PRECISION RESISTIVE PRODUCTS VISHAY VISHAY BC COMPONENTS |
| R358 | 1 | 0698-4539 | RESISTOR 402K +-1pct .125W TF TC=0+-100 | 5053HD402K0F CMF-554023FT-1 | VISHAY BC COMPONENTS VISHAY |
| R359, 480, 485 | 3 | 0699-1211 | RESISTOR 95K +-0.1pct .1W TF TC=0+-5 | PR 1/10T595K0.1% PTF-5695K0BT-16 UXBA95K000B | PRECISION RESISTIVE PRODUCTS VISHAY VISHAY BC COMPONENTS |

06627-60022 40W Outputs 1 and 2 Board Assembly Parts List

| Reference Designator | QTY | Agilent P/N | Description | MPN | Manufacturer |
|----------------------|-----|-------------|---|---|---|
| R36,R37 | 2 | 0699-3947 | RESISTOR 1K +-1pct .063W TKF TC=0+-200 | CRCW06031K00FKE_ CR16-1001-FL RK73H1JT_1001F 2322704_1002L MCR03__FX1001 MC06031001-FT | VISHAY ASJ KOA YAGEO ROHM RCD COMPONENTS |
| R360, 459 | 2 | 0757-0446 | RESISTOR 15K +-1pct .125W TF TC=0+-100 | 5053HD15K00F CMF-551502FT-1 NK4H.125W1%+/- 100PPM1502 | VISHAY BC COMPONENTS VISHAY E-SIL COMPONENTS |
| R363, 364 | 2 | 0757-0416 | RESISTOR 511 +-1pct .125W TF TC=0+-100 | 5053HD511R0F CMF-555110FT-1 NK4H.125W1%+/- 100PPM511R0 | VISHAY BC COMPONENTS VISHAY E-SIL COMPONENTS |
| R365 | 1 | 0699-1212 | RESISTOR 19K +-0.1pct .125W TF TC=0+-25 | B0207E19K00B CMF-551902BT-9 | VISHAY BC COMPONENTS VISHAY |
| R366 | 1 | 0699-1722 | RESISTOR 9.75K +-0.1pct .125W TF TC=0+-15 | PR1/8 PTF-569K75BT-10 UXEB9K7500B | PRECISION RESISTIVE PRODUCTS VISHAY VISHAY BC COMPONENTS |
| R372 | 1 | 0683-0335 | RESISTOR 3.3 +-5PCT .25W CF TC=0-400 | CF 14 3R 5% CF1/4C___3R3J | ASJ KOA |
| R373 | 1 | 0698-4470 | RESISTOR 6.98K +-1pct .125W TF TC=0+-100 | 5053HD6K980F CMF-55698FT-1 NK4H.125W1%+/- 100PPM6981 | VISHAY BC COMPONENTS VISHAY E-SIL COMPONENTS |
| R375 | 1 | 0686-2225 | RESISTOR 2.2K +-5pct .5W CC TC=0+647 | | |
| R377 | 1 | 0698-4446 | RESISTOR 267 +-1pct .125W TF TC=0+-100 | 5053HD267R0F CMF-552670FT-1 NK4H.125W1%+/- 100PPM267R0 | VISHAY BC COMPONENTS VISHAY E-SIL COMPONENTS |
| R379 | 1 | 0698-5347 | RESISTOR 495.5 +-0.1pct .125W TF TC=0+-25 | B0207E495R5B CMF-55495R5BT-9 | VISHAY BC COMPONENTS VISHAY |

06627-60022 40W Outputs 1 and 2 Board Assembly Parts List

| Reference Designator | QTY | Agilent P/N | Description | MPN | Manufacturer |
|--|-----|-------------|---|---|--|
| R38,R39 | 2 | 0699-3966 | RESISTOR 6.81K +-1pct .063W TKF TC=0+-200 | CRCW06036K81FKE_ RK73H1JT_6811F MCR03__FX6811 232270466812 | VISHAY KOA ROHM YAGEO |
| R380, 381 | 2 | 0698-3510 | RESISTOR 453 +-1pct .125W TF TC=0+-100 | CMF-554530FT-1 5053HD453R0F NK4H.125W1%+/- 100PPM453R0 | VISHAY VISHAY BC COMPONENTS E-SIL COMPONENTS |
| R382 | 1 | 0757-0465 | RESISTOR 100K +-1pct .125W TF TC=0+-100 | 5053HD100K0F CMF-551003FT-1 NK4H.125W1%+/- 100PPM1003 | VISHAY BC COMPONENTS VISHAY E-SIL COMPONENTS |
| R383, 384, 398, 439, 445, 451, 506, R509, 512 | 9 | 0757-0280 | RESISTOR 1K +-1pct .125W TF TC=0+-100 | 5053HD1K000F CMF-551001FT-1 NK4H.125W1%+/- 100PPM1001 | VISHAY BC COMPONENTS VISHAY E-SIL COMPONENTS |
| R385 | 1 | 0811-1217 | RESISTOR 150 +-5pct 5W PWI TC=0+-20 | RS-51505% T5 | VISHAY TT ELECTRONICS |
| R386 | 1 | 0686-8225 | RESISTOR 8.2K +-5pct .5W CC TC=0+647 | | |
| R388, 406 | 2 | 0683-4715 | RESISTOR 470 +-5pct .25W CF TC=0-400 | CF 14 47R 5% R25X-J-471 | ASJ ROHM |
| R389 | 1 | 0698-5088 | RESISTOR 12K +-1pct .125W TF TC=0+-100 | CMF-551202FT-1 5053HD12K00F NK4H.125W1%+/- 100PPM1202 | VISHAY VISHAY BC COMPONENTS E-SIL COMPONENTS |
| R392 | 1 | 0757-0282 | RESISTOR 221 +-1pct .125W TF TC=0+-100 | 5053HD221R0F CMF-552210FT-1 NK4H.125W1%+/- 100PPM221R0 | VISHAY BC COMPONENTS VISHAY E-SIL COMPONENTS |
| R393, 419 | 2 | 0698-4435 | RESISTOR 2.49K +-1pct .125W TF TC=0+-100 | 5053HD2K490F CMF-552491FT-1 NK4H.125W1%+/- 100PPM2491 | VISHAY BC COMPONENTS VISHAY E-SIL COMPONENTS |

06627-60022 40W Outputs 1 and 2 Board Assembly Parts List

| Reference Designator | QTY | Agilent P/N | Description | MPN | Manufacturer |
|----------------------|-----|-------------|--|---|--|
| R394 | 1 | 0757-0473 | RESISTOR 221K +-1pct .125W TF TC=0+-100 | 5053HD221K0F CMF-552213FT-1 NK4H.125W1%+/- 100PPM2213 | VISHAY BC COMPONENTS VISHAY E-SIL COMPONENTS |
| R395 | 1 | 0757-0431 | RESISTOR 2.43K +-1pct .125W TF TC=0+-100 | 5053HD2K430F CMF-552431FT-1 NK4H.125W1%+/- 100PPM2431 | VISHAY BC COMPONENTS VISHAY E-SIL COMPONENTS |
| R396 | 1 | 0757-0200 | RESISTOR 5.62K +-1pct .125W TF TC=0+-100 | 5053HD5K620F CMF-555621FT-1 NK4H.125W1%+/- 100PPM5621 | VISHAY BC COMPONENTS VISHAY E-SIL COMPONENTS |
| R397 | 1 | 0757-0481 | RESISTOR 475K +-1pct .125W TF TC=0+-100 | 5053HD475K0F CMF-554753FT-1 | VISHAY BC COMPONENTS VISHAY |
| R399, 465 | 2 | 0757-0464 | RESISTOR 90.9K +-1pct .125W TF TC=0+-100 | 5053HD90K90F CMF-559092FT-1 NK4H.125W1%+/- 100PPM9092 | VISHAY BC COMPONENTS VISHAY E-SIL COMPONENTS |
| R401 | 1 | 0698-4099 | RESISTOR 139 +-1pct .125W TF TC=0+-100 | CMF-551390FT-1 230618681391 NK4H.125W1%+/- 100PPM139R0 | VISHAY VISHAY BC COMPONENTS E-SIL COMPONENTS |
| R405 | 1 | 0698-5089 | RESISTOR 33K +-1pct .125W TF TC=0+-100 | CMF-553302FT-1 5053HD33K00F NK4H.125W1%+/- 100PPM3302 | VISHAY VISHAY BC COMPONENTS E-SIL COMPONENTS |
| R407 | 1 | 0811-3752 | RES .18 5pct 2W | 0811-3752 0811-3752 | CHARLES T GAMBLE INDUSTRIES TT ELECTRONICS |
| R408 | 1 | 0811-3795 | RESISTOR .125 +-2pct 7W PWI TC=0+-40 | 0811-3795 0811-3795 | RCD COMPONENTS TT ELECTRONICS |
| R411 | 1 | 0812-0010 | RESISTOR 3K +-5pct 3W PWI TC=0+-20 | RS-2B3K05% T2B-9-3K5% | VISHAY TT ELECTRONICS |

06627-60022 40W Outputs 1 and 2 Board Assembly Parts List

| Reference Designator | QTY | Agilent P/N | Description | MPN | Manufacturer |
|----------------------|-----|-------------|---|---|--|
| R412 | 1 | 0698-4536 | RESISTOR 340K +-1pct .125W TF TC=0+-100 | CMF-553403FT-1 5053HD340K0F | VISHAY VISHAY BC COMPONENTS |
| R418, 448 | 2 | 0757-0469 | RESISTOR 150K +-1pct .125W TF TC=0+-100 | 5053HD150K0F CMF-551503FT-1 NK4H.125W1%+/- 100PPM1503 | VISHAY BC COMPONENTS VISHAY E-SIL COMPONENTS |
| R42 | 1 | 0699-3968 | RESISTOR 8.25K +-1pct .063W TKF TC=0+-200 | CRCW06038K25FKE_ RK73H1JT_8251F MCR03__FX8251 232270468252 | VISHAY KOA ROHM YAGEO |
| R420 | 1 | 0683-3305 | RESISTOR 33 +-5pct .25W CF TC=0-400 | CF 14 33 5% | ASJ |
| R421, 432 | 2 | 0698-3449 | RESISTOR 28.7K +-1pct .125W TF TC=0+-100 | 5053HD28K70F CMF-552872FT-1 NK4H.125W1%+/- 100PPM2872 | VISHAY BC COMPONENTS VISHAY E-SIL COMPONENTS |
| R422, 431, 450, 455 | 4 | 0698-8827 | RESISTOR 1M +-1pct .125W TF TC=0+-100 | 5053HD1M000F CMF-551004FT-1 | VISHAY BC COMPONENTS VISHAY |
| R423, 496, 498 | 3 | 0757-0401 | RESISTOR 100 +-1pct .125W TF TC=0+-100 | 5053HD100R0F CMF-551000FT-1 | VISHAY BC COMPONENTS VISHAY |
| R425 | 1 | 0757-0413 | RES-FXD 392 +-1PCT .6W TC 0+-100 | 5053HD392R0F CMF-553920FT-1 NK4H.125W1%+/- 100PPM392R0 | VISHAY BC COMPONENTS VISHAY E-SIL COMPONENTS |
| R426 | 1 | 0757-0427 | RESISTOR 1.5K +-1pct .125W TF TC=0+-100 | 5053HD1K500F CMF-551501FT-1 NK4H.125W1%+/- 100PPM1501 | VISHAY BC COMPONENTS VISHAY E-SIL COMPONENTS |
| R427 | 1 | 0698-3444 | RESISTOR 316 +-1pct .125W TF TC=0+-100 | 5053HD316R0F CMF-553160FT-1 NK4H.125W1%+/- 100PPM316R0 | VISHAY BC COMPONENTS VISHAY E-SIL COMPONENTS |

06627-60022 40W Outputs 1 and 2 Board Assembly Parts List

| Reference Designator | QTY | Agilent P/N | Description | MPN | Manufacturer |
|----------------------|-----|-------------|---|---|---|
| R428 | 1 | 0757-0405 | RESISTOR 162 +-1pct .125W TF TC=0+-100 | 5053HD162R0F CMF-551620FT-1 NK4H.125W1%+/- 100PPM162R0 | VISHAY BC COMPONENTS VISHAY E-SIL COMPONENTS |
| R43,R46 | 2 | 0699-3977 | RESISTOR 19.6K +-1pct .063W TKF TC=0+-200 | CRCW060319K6FKE_ RK73H1JT_1962F MCR03__FX1962 | VISHAY KOA ROHM |
| R436, 461 | 2 | 0683-4735 | RESISTOR 47K +-5pct .25W CF TC=0-400 | CF 14 47 5% R25X-J-473 | ASJ ROHM |
| R437, 446, 453, 511 | 4 | 0698-4480 | RESISTOR 15.8K +-1pct .125W TF TC=0+-100 | 5053HD15K80F CMF-551582FT-1 NK4H.125W1%+/- 100PPM1582 | VISHAY BC COMPONENTS VISHAY E-SIL COMPONENTS |
| R438 | 1 | 0698-3156 | RESISTOR 14.7K +-1pct .125W TF TC=0+-100 | 5053HD14K70F CMF-551472FT-1 NK4H.125W1%+/- 100PPM1472 | VISHAY BC COMPONENTS VISHAY E-SIL COMPONENTS |
| R440 | 1 | 0699-0811 | RESISTOR 33K +-0.1pct .125W TF TC=0+-5 | PR1/8 PTF-5633K0BT-16 UXEA33K000B | PRECISION RESISTIVE PRODUCTS VISHAY VISHAY BC COMPONENTS |
| R441, 443 | 2 | 0698-6414 | RESISTOR 1K +-0.1pct .1W TF TC=0+-5 | PR 1/10T51K0.1% PTF-561K0BT-16 UXB0207-05 0,1% RP 1K | PRECISION RESISTIVE PRODUCTS VISHAY VISHAY BC COMPONENTS |
| R444 | 1 | 0699-0934 | RESISTOR 35.65K +-0.1pct .1W TF TC=0+-5 | PR1/10T535K65.1% PTF-5635K65BT-16 UXBA35K650B | PRECISION RESISTIVE PRODUCTS VISHAY VISHAY BC COMPONENTS |
| R447 | 1 | 0757-0440 | RESISTOR 7.5K +-1pct .125W TF TC=0+-100 | 5053HD7K500F CMF-557501FT-1 NK4H.125W1%+/- 100PPM7501 | VISHAY BC COMPONENTS VISHAY E-SIL COMPONENTS |

06627-60022 40W Outputs 1 and 2 Board Assembly Parts List

| Reference Designator | QTY | Agilent P/N | Description | MPN | Manufacturer |
|----------------------|-----|-------------|--|---|--|
| R449 | 1 | 0698-3447 | RESISTOR 422 +-1pct .125W TF TC=0+-100 | 5053HD422R0F CMF-554220FT-1 NK4H.125W1%+/- 100PPM422R0 | VISHAY BC COMPONENTS VISHAY E-SIL COMPONENTS |
| R45 | 1 | 0699-7524 | RES-FXD 16.9K +-1PCT 0.063W TC 0+-100 0603 | RK73H1JL__1692F CRCW060316K9FKE_ | KOA VISHAY |
| R454 | 1 | 0699-0953 | RESISTOR 15.4K +-0.1PCT .125W TF TC=0+-50 | B0207C15K40B CMF-551542BT-2 | VISHAY BC COMPONENTS VISHAY |
| R456 | 1 | 0698-0087 | RESISTOR 316 +-1pct .25W TF TC=0+-100 | CMF-603160FT-1 MBB0207C3160F H4316RFZ | VISHAY VISHAY BC COMPONENTS TYCO INTERNATIONAL |
| R457 | 1 | 0698-3609 | RESISTOR 22 +-5pct 2W MO TC=0+-200 | FP69 22R0 5% GS-322R0 MO2C__220J | VISHAY TT ELECTRONICS KOA |
| R462 | 1 | 0757-0288 | RESISTOR 9.09K +-1pct .125W TF TC=0+-100 | 5053HD9K090F CMF-559091FT-1 NK4H.125W1%+/- 100PPM9091 | VISHAY BC COMPONENTS VISHAY E-SIL COMPONENTS |
| R464 | 1 | 0757-0455 | RESISTOR 36.5K +-1pct .125W TF TC=0+-100 | 5053HD36K50F CMF-553652FT-1 NK4H.125W1%+/- 100PPM3652 | VISHAY BC COMPONENTS VISHAY E-SIL COMPONENTS |
| R47 | 1 | 0699-3984 | RESISTOR 38.3K +-1pct .063W TKF TC=0+-200 | CRCW060338K3FKE_ RK73H1JT_3832F MCR03__FX3832 232270463833 | VISHAY KOA ROHM YAGEO |
| R472 | 1 | 0699-0388 | RESISTOR 500K +-0.1pct .125W TF TC=0+-50 | B0207C500K0B CMF-55500K0B | VISHAY BC COMPONENTS VISHAY |
| R473 | 1 | 0757-0124 | RESISTOR 39.2K +-1pct .125W TF TC=0+-100 | CMF-553922FT-1 5053HD39K20F NK4H.125W1%+/- 100PPM3922 | VISHAY VISHAY BC COMPONENTS E-SIL COMPONENTS |

06627-60022 40W Outputs 1 and 2 Board Assembly Parts List

| Reference Designator | QTY | Agilent P/N | Description | MPN | Manufacturer |
|----------------------|-----|-------------|---|---|---|
| R474, 520 | 2 | 0698-7842 | RESISTOR 26.1K +-0.1pct .125W TF TC=0+-25 | B0207E26K10B CMF-552612BT-9 | VISHAY BC COMPONENTS VISHAY |
| R475 | 1 | 0683-8235 | RESISTOR 82K +-5pct .25W CF TC=0-400 | CF 14 82 5% | ASJ |
| R476 | 1 | 0699-0088 | RESISTOR 1.21M +-1pct .125W TF TC=0+-100 | B0207C1M210F CMF-551214FT-1 | VISHAY BC COMPONENTS VISHAY |
| R477 | 1 | 0698-3159 | RESISTOR 26.1K +-1pct .25W TF TC=0+-100 | MFS 1/4 D C ___ 2612 F 5053HD26K10F CMF-552612FT-1 NK4H.125W1%+/- 100PPM2612 | KOA VISHAY BC COMPONENTS VISHAY E-SIL COMPONENTS |
| R478 | 1 | 0757-0451 | RESISTOR 24.3K +-1pct .125W TF TC=0+-100 | 5053HD24K30F CMF-552432FT-1 NK4H.125W1%+/- 100PPM2432 | VISHAY BC COMPONENTS VISHAY E-SIL COMPONENTS |
| R48 | 1 | 0699-3924 | RES-FXD 100 +-1PCT .063W TKF TC=0+-200 | CRCW0603100RFKE_ CR16-1000-JL RK73H1JT_1000F MCR03___FX1000 232270461001 MC06031000-FT | VISHAY ASJ KOA ROHM YAGEO RCD COMPONENTS |
| R481, 488 | 2 | 0757-0460 | RESISTOR 61.9K +-1pct .125W TF TC=0+-100 | 5053HD61K90F CMF-556192FT-1 NK4H.125W1%+/- 100PPM6192 | VISHAY BC COMPONENTS VISHAY E-SIL COMPONENTS |
| R482, 486 | 2 | 0698-6360 | RES-FXD 10K +-0.1PCT 0.125W TC 0+-25 0207 | CMF-551002BT-9 MBB0207-25 0.1%__10K | VISHAY VISHAY BC COMPONENTS |
| R483, 487, 492 | 3 | 0683-2225 | RES-FXD 2.2KOHM +-5PCT .25W TC 0-400 | CF1/4-222J CF1/4C__222J | ASJ KOA |
| R489, 490, 508 | 3 | 0686-1065 | RESISTOR 10M +-5pct .5W CC TC=0+1059 | | |
| R491, 507 | 2 | 0683-0475 | RESISTOR 4.7 +-5pct .25W CF TC=0-400 | CF 1/4 C ___ 4R7 J CF 14 4R 5% RC1/4 4R7 5% | KOA ASJ SEI ELECTRONICS |

06627-60022 40W Outputs 1 and 2 Board Assembly Parts List

| Reference Designator | QTY | Agilent P/N | Description | MPN | Manufacturer |
|----------------------|-----|-------------|---|---|--|
| R493 | 1 | 0757-0430 | RESISTOR 2.21K +-1pct .125W TF TC=0+-100 | 5053HD2K210F CMF-552211FT-1 NK4H.125W1%+/- 100PPM2211 | VISHAY BC COMPONENTS VISHAY E-SIL COMPONENTS |
| R494 | 1 | 0698-3430 | RESISTOR 21.5 +-1pct .125W TF TC=0+-100 | 5053HD21R50F CMF-5521R5FT-1 NK4H.125W1%+/- 100PPM21R5 | VISHAY BC COMPONENTS VISHAY E-SIL COMPONENTS |
| R495 | 1 | 0757-0447 | RESISTOR 16.2K +-1pct .125W TF TC=0+-100 | 5053HD16K20F CMF-551622FT-1 NK4H.125W1%+/- 100PPM1622 | VISHAY BC COMPONENTS VISHAY E-SIL COMPONENTS |
| R497 | 1 | 0683-3915 | RES-FXD 390 OHM +-5PCT 0.25W TC 0-450 | CF 1/4-391J | ASJ |
| R5, R6 | 2 | 0699-1380 | RESISTOR 3.16K +-1pct .125W TKF TC=0+-100 | CRCW12063K16FKE_ RK73H2BT_3161F MCR18__F3161 232272463162 | VISHAY KOA ROHM YAGEO |
| R5,R6,R7,R8 | 4 | 0699-1382 | RESISTOR 3.83K +-1pct .125W TKF TC=0+-100 | CRCW12063K83FKE_ RK73H2BT_3831F MCR18__F3831 232272463832L | VISHAY KOA ROHM YAGEO |
| R500, 501 | 2 | 0757-0404 | RESISTOR 130 +-1pct .125W TF TC=0+-100 | 5053HD130R0F CMF-551300FT-1 NK4H.125W1%+/- 100PPM130R0 | VISHAY BC COMPONENTS VISHAY E-SIL COMPONENTS |
| R504 | 1 | 0683-1035 | RES-FXD 10K +-5PCT .25W CF TC 0-400 | CF1/4-103J LCA0207 10K 5% CF1/4C__103J | ASJ VISHAY KOA |
| R51,R53 | 2 | 0699-3990 | RES-FXD 75K +-1PCT 0.063W TC 0+-200 0603 | CRCW060375K0FKE_ RK73H1JT_7502F MCR03__FX7502 2322704_7503 | VISHAY KOA ROHM YAGEO |

06627-60022 40W Outputs 1 and 2 Board Assembly Parts List

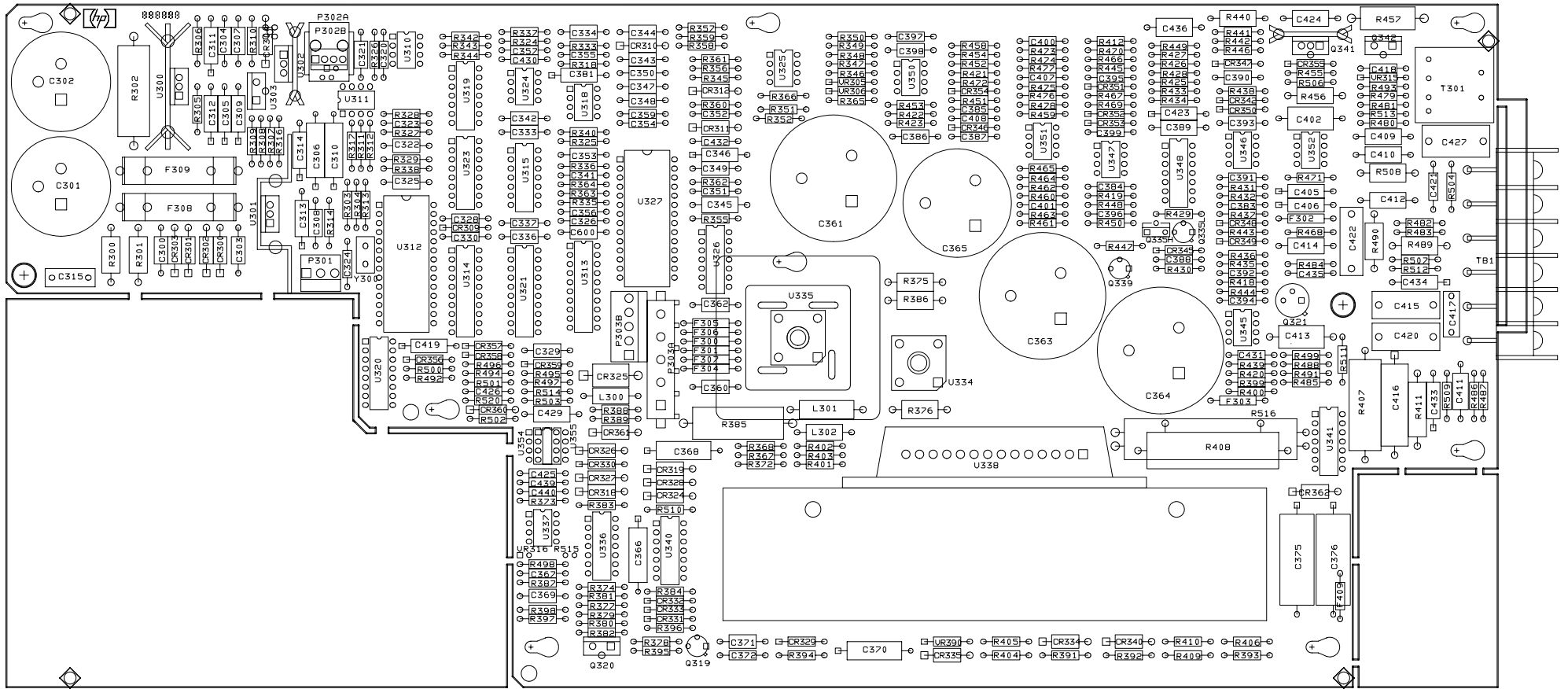
| Reference Designator | QTY | Agilent P/N | Description | MPN | Manufacturer |
|------------------------------|-----|-------------|---|---|---|
| R510 | 1 | 0757-0199 | RESISTOR 21.5K +-1pct .125W TF TC=0+-100 | 5053HD21K50F CMF-552152FT-1 NK4H.125W1%+/- 100PPM2152 | VISHAY BC COMPONENTS VISHAY E-SIL COMPONENTS |
| R514 | 1 | 0698-6631 | RES-FXD 2.5K +-0.1PCT 0.125W TC 0+-25 0207 | CMF-552501BT-9 MBB0207-25 0.1%__2.5K | VISHAY VISHAY BC COMPONENTS |
| R7 | 1 | 0699-1431 | RESISTOR 464 +-1pct .125W TKF TC=0+-100 | CRCW1206464RFKE_ RK73H2BT_4640F MCR18__F4640 232272464641 | VISHAY KOA ROHM YAGEO |
| R9,R10 | 2 | 0699-3962 | RESISTOR 4.22K +-1pct .063W TKF TC=0+-200 | CRCW06034K22FKE_ RK73H1JT_4221F MCR03__FX4221 232270464222 | VISHAY KOA ROHM YAGEO |
| REF Q321 | 1 | 1200-0181 | INSULATOR-XSTR NYLON WHITE | 7717-5N | AAVID THERMALLOY |
| REF U334, 335 | 2 | 0403-0086 | BUMPER FOOT-PRS-IN .5-IN-MAX-ODBLK RBR | 4072-022 | STOCKWELL RUBBER |
| REF U338 | 2 | 5040-1672 | BUSHING SLEEVE | 20943 | MOS PLASTICS |
| REF U338 HEAT SINK TO PCB | 2 | 0515-0906 | SCREW-MACH M4 X 0.7 50MM-LG PAN-HD ; SCREW-MACHINE ; M4.0 X 0.70; 50 MM LONG | 0515-0906 0515-0906 0515-0906 | ILLINOIS TOOL WORKS MID-CONTINENT SCREW PROD TEXTRON |
| RT1 | 1 | 0837-0474 | THERMISTOR RECT CHIP 220K-OHM | NTHS1206N17220K5% | VISHAY |
| T100 | 1 | 5040-1619 | BOBBIN-INSIDE | | |
| T101 | 1 | 06033-40005 | BOBBIN | | |
| T102 | 1 | 5040-1613 | BOBBIN-CVR | | |
| T103 | 2 | 9170-0815 | CORE-POT AL=8000-NH/TT | GP-11-EP-17-LA H5C2-EP17-A8000 B65845-J0000-Y038 | HITACHI TDK EPCOS |
| T104 | 1 | 5080-2035 | CLAMP-SPRING | | |
| T301 | 1 | 06624-80091 | XFMR-PULSE | | |
| TB001 | 1 | 0360-2195 | BARRIER BLOCK 6-TERM THRMP 2.309-IN-L | 277206-NL-R53-04 72806-49-45-C-M | COOPER INDUSTRIES AXSYS TECHNOLOGIES |
| U1,U2 | 2 | 1826-1528 | IC COMPARATOR LOW-POWER QUAD 14-SOIC | LM339DR LM339DT LM339DR2G LM339M/NOPB | TEXAS INSTRUMENTS STMICROELECTRONICS ON SEMICONDUCTOR NATIONAL SEMICONDUCTOR |

06627-60022 40W Outputs 1 and 2 Board Assembly Parts List

| Reference Designator | QTY | Agilent P/N | Description | MPN | Manufacturer |
|----------------------|-----|-------------|--|--|---|
| U3 | 1 | 1826-2532 | IC PWR MGT-VS-SUPVR/CONT 8 PINS P-SOIC | TL7702BCD | TEXAS INSTRUMENTS |
| U3a | 1 | 1855-1774 | TRANSISTOR MOSFET 2N7002K N-CHAN E-MODE | 2N7002K-__-E3 | VISHAY |
| U4 | 1 | 1821-5122 | IC PLD CPLD UNPRGMD CMOS 9536 | XC9536-15VQ44C | XILINX |
| U300, LM317T | 1 | 5060-3212 | ASSY-HS 317T | | |
| U300a | 1 | 0361-1641 | EYELET-RLD-FLG .121-OD .187-LG .0095-THK | GS 4-6 STEEL-TIN PLATE | STIMPSON EDWIN B |
| U300b | 1 | 1826-0393 | IC PWR MGT-V-REG-ADJ-POS 1.2/37V 3 PINS | LM317T-NOPB | NATIONAL SEMICONDUCTOR |
| U300c | 1 | 1205-0350 | HEAT SINK SGL PLSTC-PWR-CS | 6032B-TT | AAVID THERMALLOY |
| U301, 1826-0527 | 1 | 5060-3260 | ASSY-HS, TO-220 | | |
| U301a | 1 | 1826-0527 | IC PWR MGT-V-REG-ADJ-NEG 1.2/37V 3 PINS | LM337T-NOPB | NATIONAL SEMICONDUCTOR |
| U301b | 1 | 0361-1641 | EYELET-RLD-FLG .121-OD .187-LG .0095-THK | GS 4-6 STEEL-TIN PLATE | STIMPSON EDWIN B |
| U301c | 1 | 1205-0707 | HEAT SINK SGL TO-220-CS | 507222B05300 | AAVID THERMALLOY |
| U302, LM317T | 1 | 5060-2942 | ASSY-HS 317T | | |
| U302a | 1 | 1205-0282 | HEAT SINK PLSTC-PWR-CS | 6025D | AAVID THERMALLOY |
| U302b | 1 | 1826-0393 | IC PWR MGT-V-REG-ADJ-POS 1.2/37V 3 PINS | LM317T-NOPB | NATIONAL SEMICONDUCTOR |
| U302c | 1 | 0361-1641 | EYELET-RLD-FLG .121-OD .187-LG .0095-THK | GS 4-6 STEEL-TIN PLATE | STIMPSON EDWIN B |
| U303, LM337T | 1 | 1826-0527 | IC PWR MGT-V-REG-ADJ-NEG 1.2/37V 3 PINS | LM337T-NOPB | NATIONAL SEMICONDUCTOR |
| U310, 311 | 2 | 1990-0996 | OPTO-ISOLATOR LED-IC GATE IF=10MA-MAX | HCPL-2200 | AVAGO TECHNOLOGIES |
| U312 | 1 | 1820-4714 | IC-MPU SC84476P | | |
| U314 | 1 | 1826-1231 | D/A 8-DGT 20-PLASTIC CMOS | AD7528KNZ | ANALOG DEVICES |
| U315 | 1 | 1826-1553 | IC OP AMP PRCN QUAD 14 PIN DIP-P | LT1014DN | LINEAR TECHNOLOGY |
| U318 | 1 | 1826-1369 | IC PWR MGT-V-REF-FXD 9.95/10.05V 8 PINS | LT1021DCN8-10 | LINEAR TECHNOLOGY |
| U319 | 1 | 1826-0315 | IC OP AMP GP QUAD 14 PIN DIP-P | LM348N-NOPB | NATIONAL SEMICONDUCTOR |
| U320 | 1 | 1820-1216 | IC DCDR-DEMUXR TTL/LS BIN 3-TO-8-LINE | HD74LS138P MB74LS138M SN74LS138N | HITACHI FUJITSU TEXAS INSTRUMENTS |
| U321, U313 | 2 | 1826-1488 | D/A 12-BIT 20 CMOS | | |
| U323 | 1 | 1826-1021 | ANALOG MULTIPLEXER CHNL 16 -DIP-P | DG508ACJ ADG508AKNZ | VISHAY ANALOG DEVICES |
| U324 | 1 | 1826-1475 | IC COMPARATOR GP 8 PIN DIP-P | LT1011CN8 | LINEAR TECHNOLOGY |
| U325, 351 | 2 | 1826-0412 | IC COMPARATOR PRCN DUAL 8 PIN DIP-P | LM393NNOBP | NATIONAL SEMICONDUCTOR |
| U326 | 1 | 1810-0639 | NET-RES 13 20.0K OHM 14-PIN | 4114R-64Z-203 MDP1401-203G | BOURNS VISHAY |
| U327 | 1 | 5065-7098 | ALPS-42 CHIP PCA | | |
| U334, 335 | 2 | 1906-0349 | DIODE-FW BRDG 200V 6A | PB62 GBPC602-E4 | MICROSEMI VISHAY |
| U336, 340 | 2 | 1858-0088 | TRANSISTOR ARRAY 14-PIN PLSTC TO-116 | MPQ7093 | CENTRAL SEMICONDUCTOR |
| U337 | 1 | 1826-1843 | IC PWR MGT-V-REF-ADJ 0/36V 8 PINS DIP-P | TL431IP | TEXAS INSTRUMENTS |
| U338 | 1 | 5060-3567 | ASSY-HEATSINK | | |
| U341 | 1 | 1858-0107 | TRANSISTOR ARRAY 14-PIN PLSTC TO-116 | MPQ7043 | CENTRAL SEMICONDUCTOR |

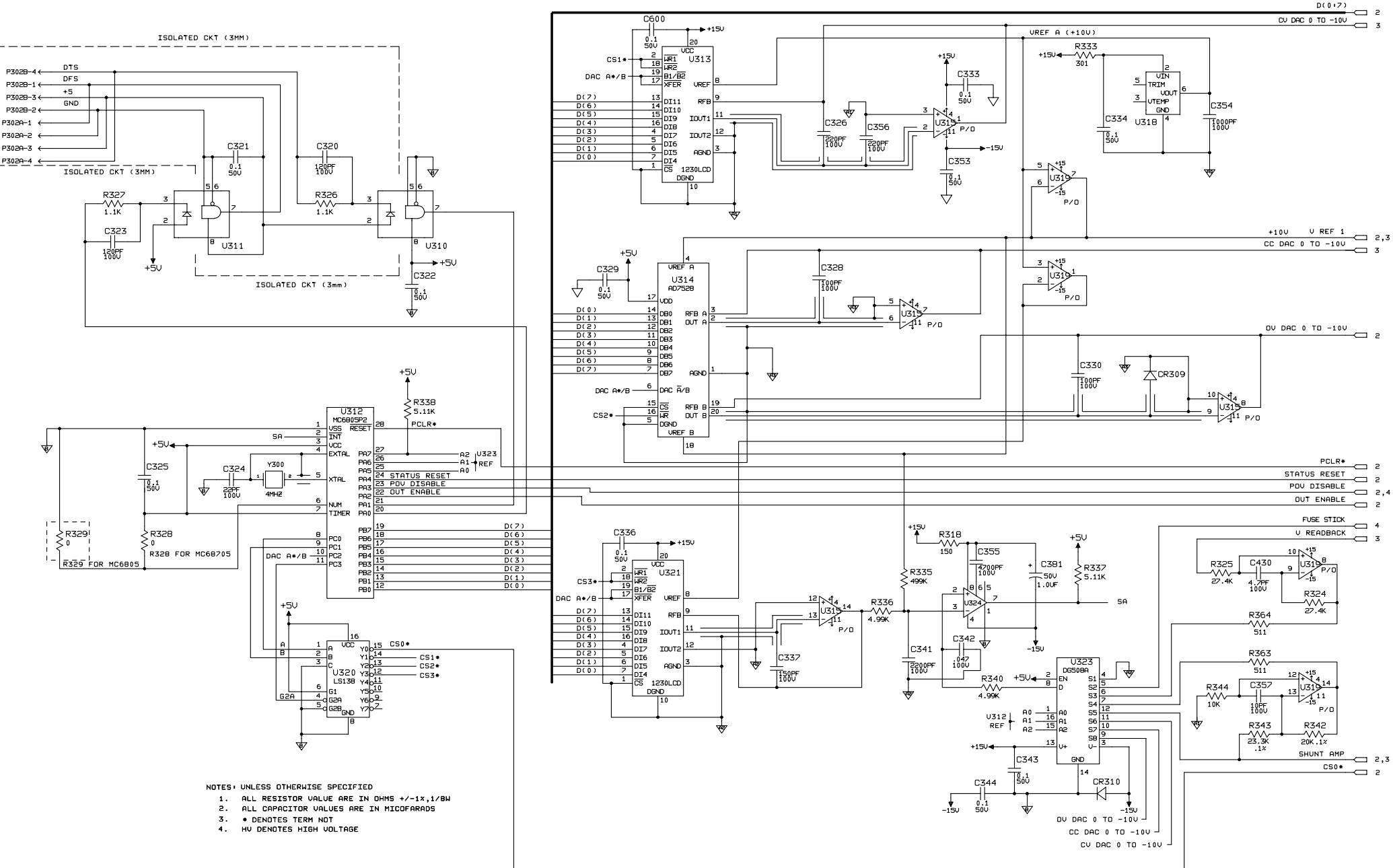
06627-60022 40W Outputs 1 and 2 Board Assembly Parts List

| Reference Designator | QTY | Agilent P/N | Description | MPN | Manufacturer |
|----------------------|-----|-------------|---|--------------------|--|
| U345-347, 350 | 4 | 1826-0493 | IC OP AMP LOW-BIAS-H-IMPD 8 PIN DIP-P | LT1008CN8 | LINEAR TECHNOLOGY |
| U348 | 1 | 1858-0083 | TRANSISTOR ARRAY 14-PIN PLSTC DIP | MPQ6002 | CENTRAL SEMICONDUCTOR |
| U352 | 1 | 1826-1409 | IC OP AMP LOW-NOISE DUAL 8 PIN DIP-P | LT1013CN8 | LINEAR TECHNOLOGY |
| V355 | 1 | 1826-0468 | IC PWR MGT-OV-V-SEN 2.3/37.8V 8 PINS | MC3423P1G | ON SEMICONDUCTOR |
| VR305 | 1 | 1902-1377 | DIODE-ZNR 6.19V 2pct DO-35 PD=.4W | SZG30460RL | TAK CHEONG ELECTRONICS |
| VR306 | 1 | 1902-0182 | DIODE-ZNR 20.5V 5PCT PD=0.4W DO-35 | DZ730821K | MICROSEMI |
| VR315 | 1 | 1902-0057 | DIODE-ZNR 6.49V 5pct DO-35 PD=.4W | 1N5234B | MICRO COMMERCIAL COMPONENTS |
| VR390 | 1 | 1902-3323 | DIODE-ZNR 42.2V 5pct DO-35 PD=.4W TC=+.08pct | 1N5260B | MICRO COMMERCIAL COMPONENTS |
| Y300 | 1 | 0410-1627 | RESONATOR-CERAMIC 4.0MHZ TOL +/-0.50PCT | CSALF4M00G55 | MURATA MANUFACTURING |
| | 1 | 1902-0244 | DIODE-ZNR 30V 5pct PD=1W IR=5UA | 1N4751A 1N4751A | FAIRCHILD SEMICONDUCTOR MICRO COMMERCIAL COMPONENTS |



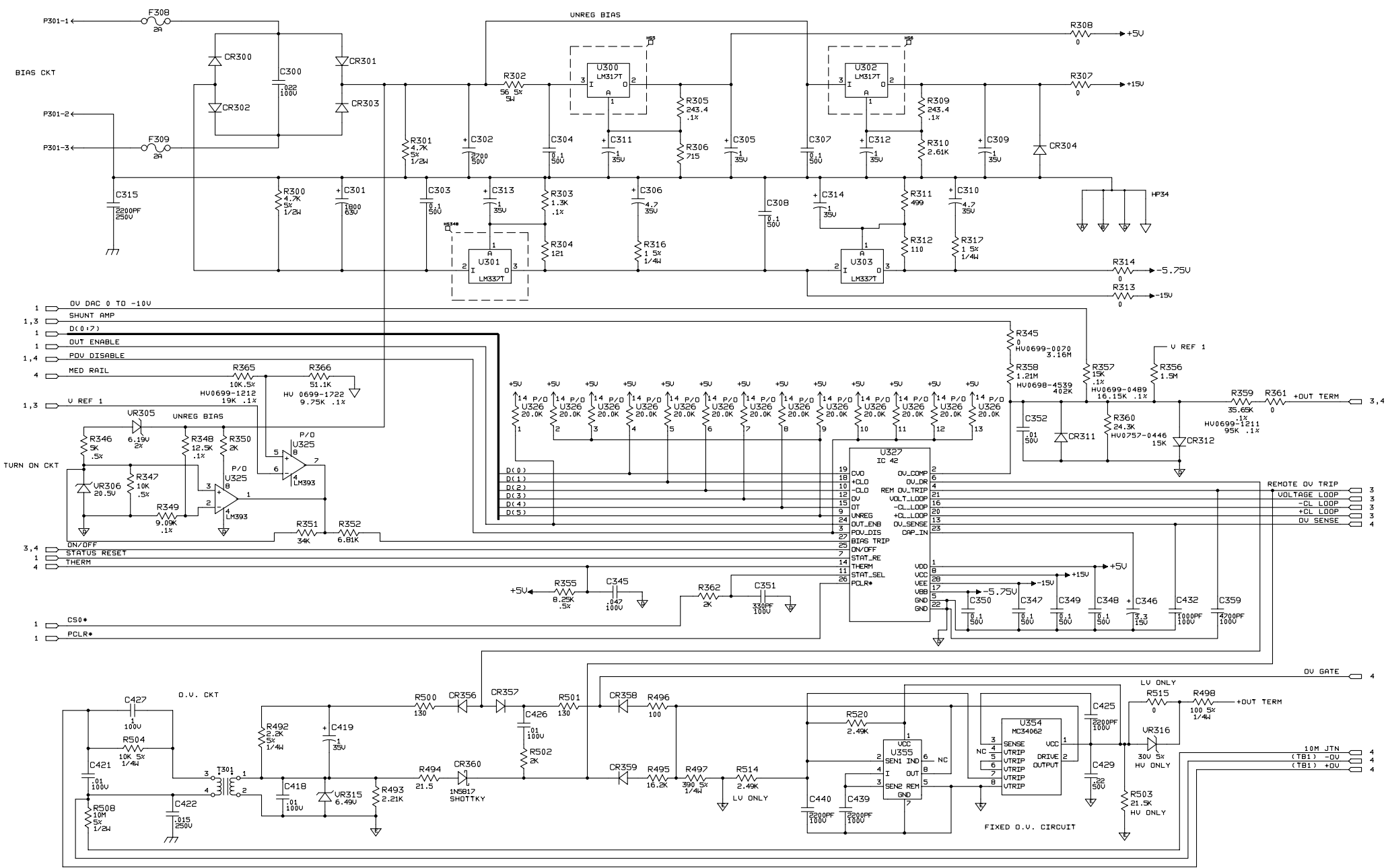
**Agilent 6624A
System Power Supply, 40W, 4 Outputs**

**06624-60028
40W Outputs 3 & 4 Board Assembly
Component Locator**



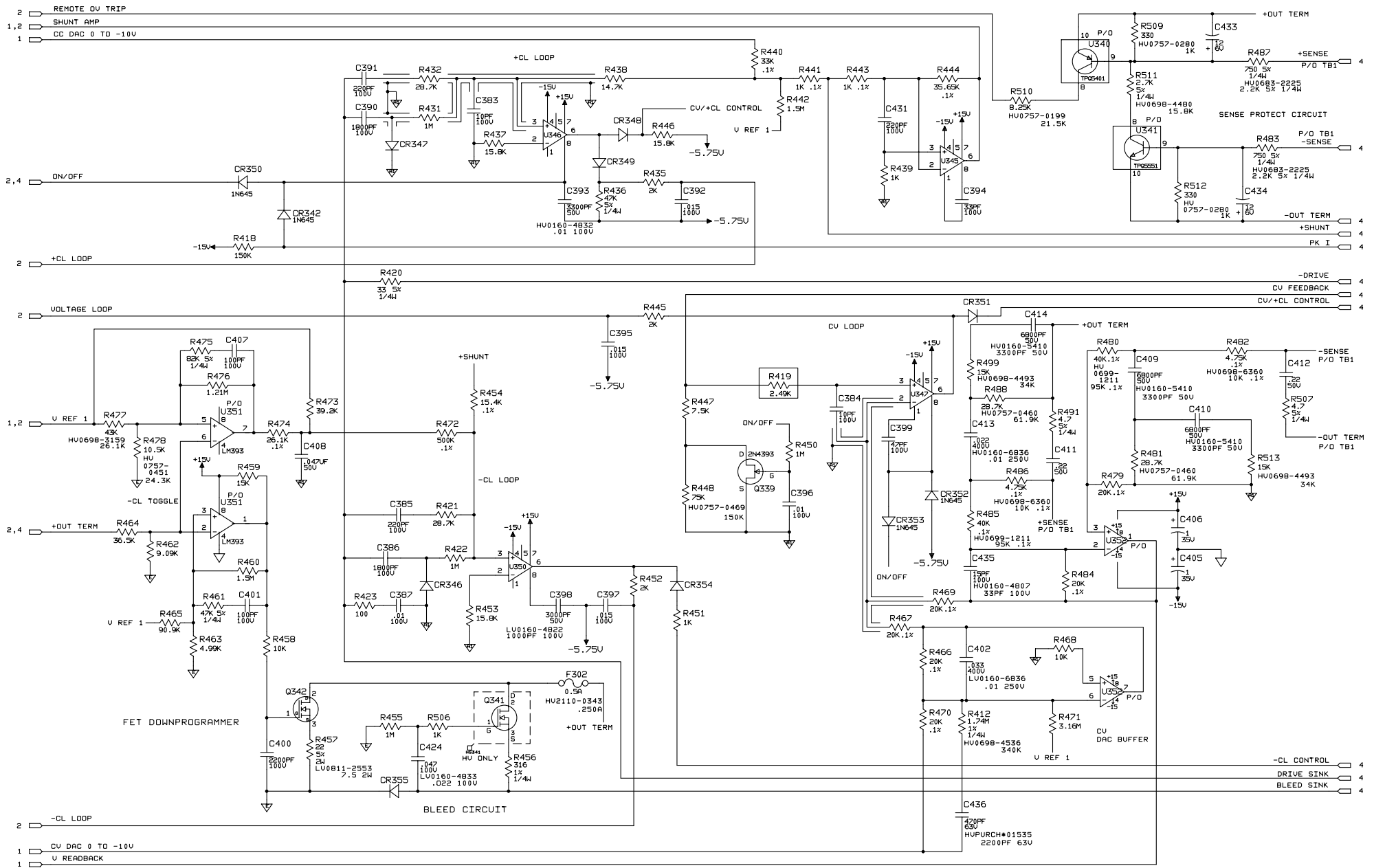
- NOTES: UNLESS OTHERWISE SPECIFIED
1. ALL RESISTOR VALUE ARE IN OHMS +/-1%,1/8W
 2. ALL CAPACITOR VALUES ARE IN MICOFARADS
 3. * DENOTES TERM NOT
 4. HV DENOTES HIGH VOLTAGE

**Agilent 6624A
System Power Supply, 40W, 4 Outputs**



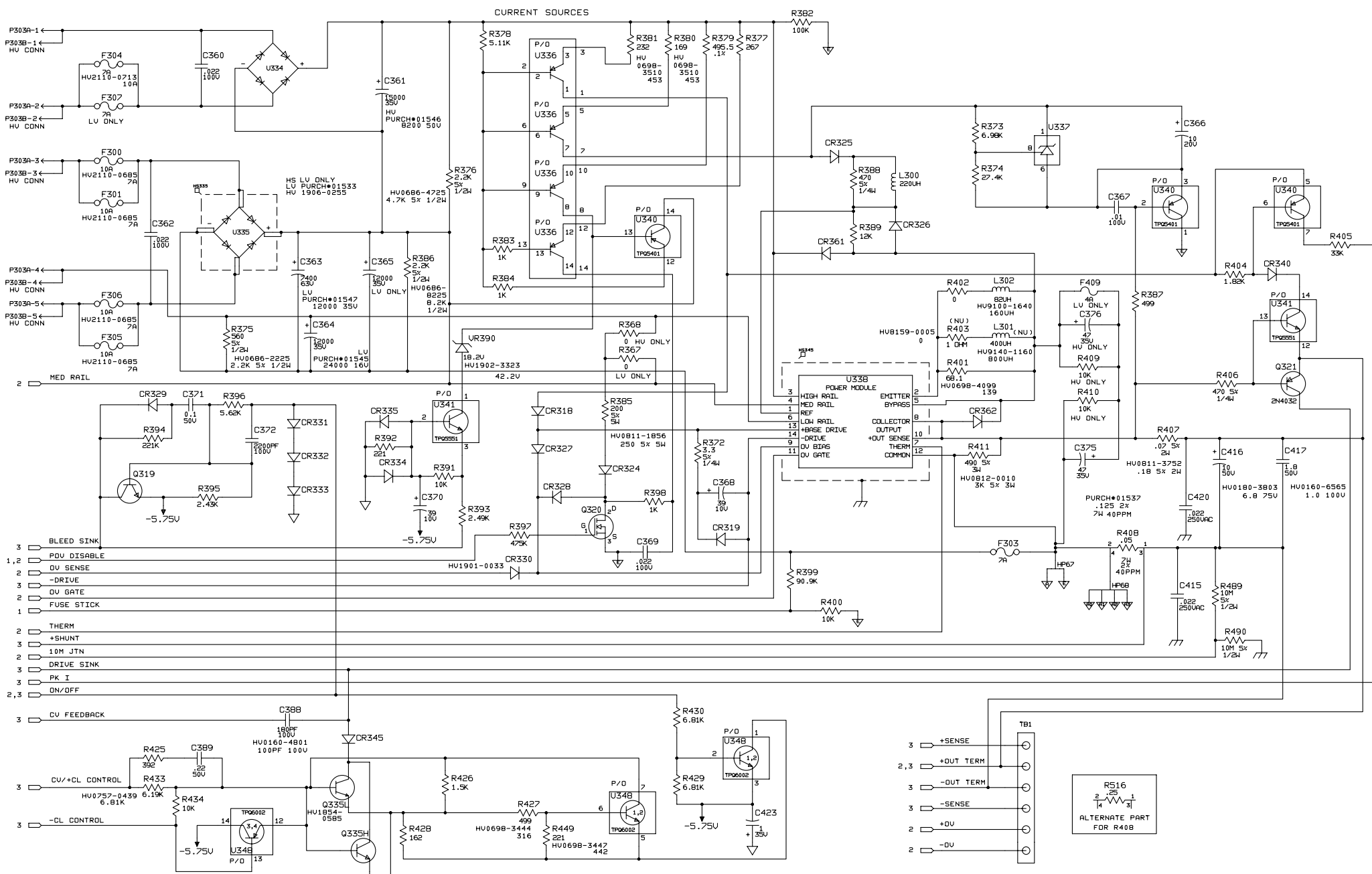
**Agilent 6624A
System Power Supply, 40W, 4 Outputs**

**06624-60028
40W Outputs 3 & 4 Board Assembly
Page 2 of 4**



**Agilent 6624A
System Power Supply, 40W, 4 Outputs**

**06624-60028
40W Outputs 3 & 4 Board Assembly
Page 3 of 4**



**Agilent 6624A
System Power Supply, 40W, 4 Outputs**

**06624-60028
40W Outputs 3 & 4 Board Assembly
Page 4 of 4**

06624-60028 40W Outputs 3 and 4 Board Assembly Parts List

| Reference Designator | QTY | Agilent P/N | Description | MPN | Manufacturer |
|---|-----|-------------|---|--|--|
| C1 | 1 | 0180-4577 | CAPACITOR-FIXED 10uF +-20PCT 10V TA | TAJB106M010R 293D106X0010B2E3 ESVB21A106M T491B106M010AS | AVX VISHAY NEC ELECTRONICS KEMET ELECTRONICS |
| C10 | 1 | 0160-5944 | CAP-FXD 0.047uF +-10pct 50 V CER X7R | 08055C473KAT A C0805C473K5RAC C2012X7R1H473K | AVX KEMET ELECTRONICS TDK |
| C13 | 1 | 0180-3751 | CAP-FXD 1uF +-20PCT 35V TA | 293D105X0035B2E3 ESVB21V105M TAJB105M035 | VISHAY NEC ELECTRONICS AVX |
| C2,C3,C4,C7,C8 | 5 | 0160-7828 | CAP-FXD 0.1uF +-10PCT 16 V CER X7R | CC0603KRX7R7BB104 0603YC104KATA C0603C104K4RAC C1608X7R1C104K GRM188R71C104KA01J | YAGEO AVX KEMET ELECTRONICS TDK MURATA MANUFACTURING |
| C300, 360, 362, 369, 424 | 5 | 0160-4833 | CAP-FXD 0.022uF +-10pct 100 V CER X7R | C420C223K1R5CA SA201C223KAAH SA201C223KAAH | KEMET ELECTRONICS AVX KYOCERA |
| C301 | 1 | 0180-4140 | CAP-FXD 1800uF +30pct -10pct 63 V AL-ELCTLT | 0180-4140 | NIPPON CHEMI-CON |
| C302 | 1 | 0180-4141 | CAP-FXD 2700uF +30pct -10pct 50 V AL-ELCTLT | 0180-4141 | NIPPON CHEMI-CON |
| C303, 304, 307, 308, 321, 322, 325, C329, 333, 334, 336, 343, 344, C347-350, 353, 371, 600 | 20 | 0160-4835 | CAP-FXD 0.1uF +-10pct 50 V CER X7R | C420C104K5R5CA SA105C104KAAH SA105C104KAAH | KEMET ELECTRONICS AVX KYOCERA |
| C305, 309, 311-314, 405, 406, 419, C423 | 10 | 0180-4129 | CAP-FXD 1uF +-10pct 35 V TA | TARR105K035 T322B105K035AS | AVX KEMET ELECTRONICS |
| C306, 310 | 2 | 0180-4131 | CAP-FXD 4.7uF +-10pct 35 V TA | TARS475K035 T322C475K035AS | AVX KEMET ELECTRONICS |
| C320, 323 | 2 | 0160-4800 | CAP-FXD 120pF +-5pct 100 V CER C0G | C410C121J1G5CA SA101A121JAA SA101A121JAA | KEMET ELECTRONICS AVX KYOCERA |
| C324 | 1 | 0160-4787 | CAP-FXD 22pF +-5pct 100 V CER C0G | C410C220J1G5CA SA101A220JAA SA101A220JAA | KEMET ELECTRONICS AVX KYOCERA |

06624-60028 40W Outputs 3 and 4 Board Assembly Parts List

| Reference Designator | QTY | Agilent P/N | Description | MPN | Manufacturer |
|--------------------------|-----|-------------|---------------------------------------|---|--|
| C326, 356, 385, 391, 431 | 5 | 0160-4812 | CAP-FXD 220pF +-5pct 100 V CER C0G | C410C221J1G5CA SA101A221JAAH SA101A221JAAH | KEMET ELECTRONICS AVX KYOCERA |
| C328, 330, 401, 407 | 4 | 0160-4801 | CAP-FXD 100pF +-5pct 100 V CER C0G | C410C101J1G5CA SA102A101JAAH SA102A101JAAH | KEMET ELECTRONICS AVX KYOCERA |
| C337 | 1 | 0160-4814 | CAP-FXD 150pF +-5pct 100 V CER C0G | C410C151J1G5CA SA101A151JAAH SA101A151JAAH | KEMET ELECTRONICS AVX KYOCERA |
| C341, 372, 400, 439, 440 | 5 | 0160-4830 | CAP-FXD 2200pF +-10pct 100 V CER X7R | C410C222K1R5CA SA101C222KAAH SA101C222KAAH | KEMET ELECTRONICS AVX KYOCERA |
| C342, 345 | 2 | 0160-4834 | CAP-FXD 0.047uF +-10pct 100 V CER X7R | C430C473K1R5CA DA13X7R2A473K SA301C473KAAH SA301C473KAAH | KEMET ELECTRONICS TDK AVX KYOCERA |
| C346 | 1 | 0180-2264 | CAP-FXD 3.3uF +-5pct 15 V TA | T110A335J015AS | KEMET ELECTRONICS |
| C351 | 1 | 0160-4810 | CAP-FXD 330pF +-5pct 100 V CER C0G | C410C331J1G5CA SA101A331JAAH SA101A331JAAH | KEMET ELECTRONICS AVX KYOCERA |
| C352 | 1 | 0160-4554 | CAP-FXD 0.01uF +-20pct 50 V CER X7R | C410C103M5R5CA DA12X7R1H103M SA105C103MAAH | KEMET ELECTRONICS TDK AVX |
| C354, 398, 432 | 3 | 0160-4822 | CAP-FXD 1000pF +-5pct 100 V CER C0G | C420C102J1G5CA SA201A102JAAH SA201A102JAAH | KEMET ELECTRONICS AVX KYOCERA |
| C355, 359 | 2 | 0160-4831 | CAP-FXD 4700pF +-10pct 100 V CER X7R | C410C472K1R5CA SA101C472KAAH SA101C472KAAH | KEMET ELECTRONICS AVX KYOCERA |
| C357, 383, 384 | 3 | 0160-4791 | CAP-FXD 10pF +-5PCT 100V CER C0G | C410C100J1G5CA SA102A100JAA SA102A100JAA | KEMET ELECTRONICS AVX KYOCERA |

06624-60028 40W Outputs 3 and 4 Board Assembly Parts List

| Reference Designator | QTY | Agilent P/N | Description | MPN | Manufacturer |
|----------------------------------|-----|-------------|---------------------------------------|---|---|
| C361 | 1 | 0180-4037 | CAP-FXD +30PCT -10PCT 35 V AL-ELCTLT | E80D350VGS153AA50N 3487DF153S035UFA2 | NIPPON CHEMI-CON CORNELL-DUBILIER ELECTRONICS |
| C363, 365 | 2 | 0180-4137 | CAP-FXD +30pct -10pct 35 V AL-ELCTLT | 3487CF123S035FFA3 3487CF123S035FFA3 82D1070 | VISHAY BC COMPONENTS VISHAY NIPPON CHEMI-CON |
| C364 | 1 | 0180-4038 | CAP-FXD +30pct -10pct 16 V AL-ELCTLT | 0180-4038 3487DE273S016FFA2 3487DE273S016FFA2 | NIPPON CHEMI-CON VISHAY BC COMPONENTS VISHAY |
| C366 | 1 | 0180-4136 | CAP-FXD 10uF +-10pct 20 V TA | TARS106K020 T322C106K020AS | AVX KEMET ELECTRONICS |
| C367, 387, 396, 418, 421, 426 | 6 | 0160-4832 | CAP-FXD 0.01uF +-10pct 100 V CER X7R | C410C103K1R5CA SA101C103KAAH SA101C103KAAH | KEMET ELECTRONICS AVX KYOCERA |
| C368, 370 | 2 | 0180-0393 | CAP-FXD 39uF +-10pct 10 V TA | T110B396K010AS TAAB39K10RX | KEMET ELECTRONICS STC |
| C375 | 1 | 0180-3804 | CAP-FXD 47uF +-20pct 35 V TA | T110D476M035AS | KEMET ELECTRONICS |
| C381 | 1 | 0180-0230 | CAP-FXD 1uF +-20pct 50 V TA | T110A105M050AS TAAA1R0M50RX | KEMET ELECTRONICS STC |
| C386, 390 | 2 | 0160-4820 | CAP-FXD 1800pF +-5pct 100 V CER C0G | C430C182J1G5CA DA13C0G2A182J SA301A182JAAH SA301A182JAAH | KEMET ELECTRONICS TDK AVX KYOCERA |
| C388 | 1 | 0160-4813 | CAP-FXD 180pF +-5pct 100 V CER C0G | C410C181J1G5CA SA101A181JAAH SA101A181JAAH | KEMET ELECTRONICS KYOCERA AVX |
| C389, 411-412, 429 | 14 | 0160-5098 | CAP-FXD 0.22uF +-10pct 50 V CER X7R | C440C224K5R5CA SA405C224KAAH SA405C224KAAH | KEMET ELECTRONICS AVX KYOCERA |
| C392, 395, 397 | 3 | 0160-5166 | CAP-FXD 0.015uF +-20pct 100 V CER X7R | C420C153M1R5CA DA13X7R2A153M SA201C153MAAH SA201C153MAAH | KEMET ELECTRONICS TDK AVX KYOCERA |

06624-60028 40W Outputs 3 and 4 Board Assembly Parts List

| Reference Designator | QTY | Agilent P/N | Description | MPN | Manufacturer |
|----------------------|-----|-------------|---|--|-------------------------------------|
| C393 | 1 | 0160-5410 | CAP-FXD 3300pF +-5pct 50 V CER C0G | C430C332J5GCA SA305A332JAAH | KEMET ELECTRONICS AVX |
| C394 | 1 | 0160-4807 | CAP-FXD 33pF +-5pct 100 V CER C0G | C410C330J1G5CA SA102A330JAAH SA102A330JAAH | KEMET ELECTRONICS AVX KYOCERA |
| C399 | 1 | 0160-4805 | CAP-FXD 47pF +-5pct 100 V CER C0G | C410C470J1G5CA SA102A470JAAH SA102A470JAAH | KEMET ELECTRONICS AVX KYOCERA |
| C402 | 1 | 0160-7320 | CAP-FXD 0.01uF +-5pct 100 V POLYP-FL | PT12D103J | ELECTRONIC CONCEPTS |
| C408 | 1 | 0160-5422 | CAP-FXD 0.047uF +-20pct 50 V CER X7R | C420C473M5R5CA DA13X7R1H473M SA205C473MAAH | KEMET ELECTRONICS TDK AVX |
| C409, 410, 414 | 3 | 0160-4904 | CAP-FXD 6800pF +-5pct 100 V CER C0G | C440C682J5G5CA SA401A682JAAH SA401A682JAAH | KEMET ELECTRONICS AVX KYOCERA |
| C413 | 1 | 0160-6827 | CAP-FXD 0.022uF +-10pct 400 V POLYE-MET | 0160-6827-22NF+/- 10%400V MKT 1813-322/405 | AMERICAN SHIZUKI VISHAY |
| C416 | 1 | 0180-3805 | CAP-FXD 10uF +-20pct 50 V TA | T110C106M050AS | KEMET ELECTRONICS |
| C417 | 1 | 0160-7461 | CAP-FXD 1.8UF +-20PCT 50 V POLYE-MET | ME4-1315M | ELECTRONIC CONCEPTS |
| C422 | 1 | 0160-3969 | CAP-FXD 0.015uF +-20pct 250 V PPR-MET | PME271Y515MR30 | EVOX/RIFA |
| C427 | 1 | 0161-0642 | CAP-FXD 1uF +-10pct 100 V POLYPH-MET FILM | SMR15105K100B06L4 | EVOX/RIFA |
| C430 | 1 | 0160-4795 | CAP-FXD 4.7pF +-10.64pct 100 V CER C0G | C410C479D1G5CA SA102A4R7DAAH SA102A4R7DAAH | KEMET ELECTRONICS AVX KYOCERA |
| C433, 434 | 2 | 0180-2623 | CAP-FXD 12uF +-10pct 6 V TA | T140A126K006AS | KEMET ELECTRONICS |
| C435 | 1 | 0160-4789 | CAP-FXD 15pF +-5pct 100 V CER C0G | C410C150J1G5CA SA101A150JAA SA101A150JAA | KEMET ELECTRONICS AVX KYOCERA |
| C436 | 1 | 0160-6998 | CAP-FXD 470pF +-5pct 630 V POLYE-MET | HEW-840-470PF+/- 5%630V MKT1813147/634 | AMERICAN SHIZUKI VISHAY |

06624-60028 40W Outputs 3 and 4 Board Assembly Parts List

| Reference Designator | QTY | Agilent P/N | Description | MPN | Manufacturer |
|---|-----|-------------|--------------------------------------|--|--|
| C5,C6 | 2 | 0160-8529 | CAP-FXD 0.047uF +-10pct 25 V CER X7R | C1608X7R1E473K GRM188R71E473KA01_ C0603C473K3RAC | TDK MURATA MANUFACTURING KEMET ELECTRONICS |
| CR009 | 1 | 1906-0301 | DIODE-CT-RECT DUAL 200V 16A TO-220AB | MUR1620CTG MUR1620CT | ON SEMICONDUCTOR VISHAY |
| CR11, CR12 | 2 | 1901-1421 | DIODE-PWR RECT 200V 3A 25NS DO-214AB | ES3D MURS320T3G | VISHAY ON SEMICONDUCTOR |
| CR2 | 1 | 1901-1420 | DIODE-PWR-S 60V 20A | MBRB2060CT_G | ON SEMICONDUCTOR |
| CR300-304, 310-312, 318, 319, 324, CR326-328, 334, 335, 340, 361, 362 | 19 | 1901-0731 | DIODE-PWR RECT 400V 1A | 1N4004G 1901-0731 GP10G044 | ON SEMICONDUCTOR TEMIC TELEFUNKEN MICROELECTRON VISHAY |
| CR309, 329, 331-333, 345-349, 351, C354-359 | 17 | 1901-0050 | DIODE-SWITCHING 80V 200MA 2NS DO-35 | D3D7_FDH6308C | FAIRCHILD SEMICONDUCTOR |
| CR325 | 1 | 1901-0719 | DIODE-PWR RECT 400V 3A 300NS | MR854RLG | ON SEMICONDUCTOR |
| CR330, 342, 350, 352, 353 | 5 | 1901-0033 | DIODE-GEN PRP 180V 200MA DO-35 | 1MD2-FDH3369C | FAIRCHILD SEMICONDUCTOR |
| CR360 | 1 | 1901-1080 | DIODE-SCHOTTKY 20V 1A | 1N5817RLG | ON SEMICONDUCTOR |
| CR8 | 1 | 1906-0291 | DIODE-DUAL 70V 100MA T0-236AA | BAV99 BAV99 BAV99LT1G BAV99____X_ BAV99 | PHILIPS FAIRCHILD SEMICONDUCTOR ON SEMICONDUCTOR INFINEON TECHNOLOGIES NXP |
| C315 | 1 | 0160-4281 | CAP-FXD 2200pF +-20PCT 250 V PPR-MET | MP3Y2- 2200F/250VAC/20%,4X8.5 X13.5, Pitch10mm PME271Y422MR30 | WIMA EVOX/RIFA |
| C415, 420 | 2 | 0160-4048 | CAP-FXD 0.022uF +-20PCT 250V PPR-MET | PME271Y522MR30 MP3-Y2 0.022/20/250 | EVOX/RIFA WIMA |
| D1 | 1 | 1900-0202 | DIODE-SCHOTTKY SM SIG | HSMS-2825-__G | AVAGO TECHNOLOGIES |
| D2 | 1 | 1906-0395 | DIODE-DUAL 75V TO-253 | BAS28 BAS28____X_ BAS28 | PHILIPS INFINEON TECHNOLOGIES NXP |

06624-60028 40W Outputs 3 and 4 Board Assembly Parts List

| Reference Designator | QTY | Agilent P/N | Description | MPN | Manufacturer |
|----------------------|-----|-------------|---|---|--|
| D3,D4 | 2 | 1906-0291 | DIODE-DUAL 70V 100MA T0-236AA | BAV99 BAV99 BAV99LT1G BAV99____X_ BAV99 | PHILIPS FAIRCHILD SEMICONDUCTOR ON SEMICONDUCTOR INFINEON TECHNOLOGIES NXP |
| F300, 301, 305, 306 | 14 | 2110-0713 | FUSE-SUBMINIATURE 10A 125V NTD AX UL-LST | 0251010____L | LITTELFUSE |
| F302 | 1 | 2110-0716 | FUSE-SUBMINIATURE .5A 125V NTD AX UL-LST | 0251.500____L | LITTELFUSE |
| F303 | 1 | 2110-0685 | FUSE-SUBMINIATURE 7A 125V NTD AX UL-LST | 0251007 L | LITTELFUSE |
| F304 | 1 | 2110-0916 | FUSE-SUBMINIATURE 7A 125V TD AX UL-REC | 0473007 L | LITTELFUSE |
| F308, 309 | 2 | 2110-0303 | FUSE (INCH) 2A 250V TD FE UL-LST | 60.020 MDL-2 | ELECTREY COOPER INDUSTRIES |
| FC308, 309 | 4 | 2110-1107 | FUHLR-CLP-TYP | 1A1907-03 | COOPER INDUSTRIES |
| FLW U335, 338 | 3 | 3050-0893 | WASHER-FL MTLC 4.0 4.4-MM-ID 8.85-MM-OD ; V | 3050-0893 | HOUSE OF METRICS |
| J1 | 1 | 1252-3700 | CONN-POST TYPE .150-PIN-SPCG-MTG-END | | |
| J1,J2 | 2 | 1253-6982 | CONN-HDR VERT SMT 14-PIN 2.54MM 1-ROW | TSM-114-01-T-SV | SAMTEC |
| J3 | 1 | 1251-6515 | CONN-HDR VERT 6-PIN 2.54MM 2-ROW | 67996-106HLF | FCI FRAMATOME BERG |
| L300 | 1 | 9140-0129 | INDUCTOR RF-CH-MLD 220uH +-5pct | 1537-92 15M223J 9210-92 IM-4 220UH 5% | AMERICAN PRECISION INDUSTRIES GOWANDA ELECTRONICS ARROW ELECTRONICS VISHAY |
| L302 | 1 | 9140-0238 | INDUCTOR RF-CH-MLD 82uH +-5pct | 1537-72 15M822J IM-4 82UH 5% | AMERICAN PRECISION INDUSTRIES GOWANDA ELECTRONICS VISHAY |
| L310 REF Q342 | 1 | 9170-0894 | CORE-SHIELDING BEAD | 4330-030-33051 | FERROXCUBE USA |
| LOADING REF R408 | 1 | 0811-3796 | RESISTOR .05 +-2pct 7W PWI TC=0+-40 | 0811-3796 4LPW-7-.05-2% | RCD COMPONENTS TT ELECTRONICS |
| LW U335, 338 | 3 | 2190-0586 | WASHER-LK HLCL 4.0 4.1-MM-ID 7.6-MM-OD | A2WASPSR0158 | HOUSE OF METRICS |
| M1 | 1 | 5022-1210 | ALPS-42 CHIP PCB | | |
| P301 | 1 | 1251-7070 | CONN-HEADER VERT 3-PIN .156 W/BRD LOCKS | 640445-3 | TYCO ELECTRONICS AMP |
| P302 | 1 | 1252-2493 | MODULAR PHONE RCPT PERPINDICULAR MOU | 5520257-2 | TYCO ELECTRONICS AMP |
| P303 | 1 | 1251-6832 | CONN-UTIL MT-LK 5-CONT-POS 5-CONT | 640900-1 | TYCO ELECTRONICS AMP |
| Q001, Q006 | 2 | 1854-1174 | XSTR-NPN SI | TIP35C | ON SEMICONDUCTOR |
| Q002 | 1 | 1853-0710 | TRANSISTOR PNP SI PD=100W | 2SA1186 | SANKEN ELECTRIC |
| Q003 | 1 | 1853-0656 | XSTR-PNP SI | TIP36C | ON SEMICONDUCTOR |

06624-60028 40W Outputs 3 and 4 Board Assembly Parts List

| Reference Designator | QTY | Agilent P/N | Description | MPN | Manufacturer |
|----------------------|-----|-------------|---|---|--|
| Q2,Q5 | 2 | 1853-0525 | TRANSISTOR PNP SI TO-236AA PD=200MW | MMBT2907 PMBT2907A MMBT2907ALT1G PMBT2907A | FAIRCHILD SEMICONDUCTOR PHILIPS ON SEMICONDUCTOR NXP |
| Q319, 2N2222A | 1 | 1854-0477 | TRANSISTOR NPN PN2222A SI TO-92 PD=625MW | PN2222A PN2222ABU | CENTRAL SEMICONDUCTOR FAIRCHILD SEMICONDUCTOR |
| Q320, 341, REP 2N12L | 2 | 1855-1886 | TRANSISTOR-MOSFET N-CHAN E-MODE SI TO-2 | FQP7N10L | FAIRCHILD SEMICONDUCTOR |
| Q321 | 1 | 1853-0422 | TRANSISTOR PNP 2N4033 SI TO-39 PD=800MW | 2N4033 2N4033 | CENTRAL SEMICONDUCTOR STMICROELECTRONICS |
| Q335 | 1 | 1854-1207 | TRANSISTOR NPN 2N5088 SI TO-92 PD=625MW | 2N5088G | ON SEMICONDUCTOR |
| Q339, 2N 4393 | 1 | 1855-0414 | TRANSISTOR J-FET 2N4393 N-CHAN D-MODE | 1855-0414 2N4393 | SOLITRON VISHAY |
| Q342 | 1 | 1855-0549 | TRANSISTOR MOSFET N-CHAN E-MODE TO-220 | IRF510PBF | VISHAY |
| Q4, Q7, Q8 | 3 | 1854-1173 | TRANSISTOR NPN SI TO-252AA PD=1.75W | KSH44H11TM MJD44H11G | FAIRCHILD SEMICONDUCTOR ON SEMICONDUCTOR |
| Q5 | 1 | 1853-0655 | TRANSISTOR PNP SI TO-252AA PD FT 40 MHZ T | KSH45H11 MJD45H11T4G | FAIRCHILD SEMICONDUCTOR ON SEMICONDUCTOR |
| Q6 | 1 | 1854-1053 | TRANSISTOR NPN SI SOT-23 (TO-236AB) | CMPT2222A MMBT2222A PMBT2222A SST2222A MMBT2222ALT1G PMBT2222A | CENTRAL SEMICONDUCTOR FAIRCHILD SEMICONDUCTOR PHILIPS ROHM ON SEMICONDUCTOR NXP |
| R1,R4 | 2 | 1810-1673 | NET-RES 4 100.0K OHM | CN1J4T__104J 235003410104 MNR14FOABJ104 RAC16-4-D104JBT | KOA YAGEO ROHM KAMAYA |
| R11, R2, R4, R9 | 4 | 0699-1364 | RESISTOR 68.1 +-1pct .125W TKF TC=0+-100 | CRCW120668R1FKE_ RK73H2BT_68R1F MCR18__F68R1 232272466819 | VISHAY KOA ROHM YAGEO |

06624-60028 40W Outputs 3 and 4 Board Assembly Parts List

| Reference Designator | QTY | Agilent P/N | Description | MPN | Manufacturer |
|---|-----|-------------|---|---|---|
| R11,R12 | 2 | 0699-3954 | RESISTOR 1.96K +-1pct .063W TKF TC=0+-200 | CRCW06031K96FKE_ RK73H1JT_1961F 232270461962L MCR03___FX1961 | VISHAY KOA YAGEO ROHM |
| R12 | 1 | 0699-1415 | RESISTOR 100 +-1pct .125W TKF TC=0+-100 | CRCW1206100RFKE_ RK73H2BT_1000F MCR18___F1000 232272461001L | VISHAY KOA ROHM YAGEO |
| R13 | 1 | 0699-1376 | RESISTOR 2.15K +-1pct .125W TKF TC=0+-100 | CRCW12062K15FKE_ RK73H2BT_2151F MCR18___F2151 232272462152 | VISHAY KOA ROHM YAGEO |
| R13,R40 | 2 | 1810-1645 | NET-RES 4 10.0K OHM 8-PIN | 742C083103J 235003410103L RAC164D103JB CN1J4T__103J CRA06S0803103J MNR14E0APJ103 | CTS YAGEO KAMAYA KOA VISHAY ROHM |
| R13a | 1 | 1906-0352 | DIODE-DUAL 200V 6A TO-252AA | MURD620CTG | ON SEMICONDUCTOR |
| R14,R15,R16,R22,R25,R27, R28,R30,R32,R35,R41,R49 | 12 | 0699-3970 | RESISTOR 10K +-1pct .063W TKF TC=0+-200 | CRCW060310K0FKE_ RK73H1JT_1002F 232270461003L MCR03___FX1002 | VISHAY KOA YAGEO ROHM |
| R17 | 1 | 0699-3931 | RESISTOR 196 +-1pct .063W TKF TC=0+-200 | CRCW0603196RFKE_ RK73H1JT_1960F 232270461961L MCR03___FX1960 | VISHAY KOA YAGEO ROHM |
| R18 | 1 | 0699-3993 | RESISTOR 100K +-1pct .063W TKF TC=0+-200 | CRCW0603100KFKE_ RK73H1JT_1003F 232270461004L MCR03___FX1003 | VISHAY KOA YAGEO ROHM |
| R19 | 1 | 0699-4003 | RESISTOR 261K +-1pct .063W TKF TC=0+-200 | RK73H1JT_2613F MCR03___FX2613 MC06032613-FT RC0603F_-__261KL | KOA ROHM RCD COMPONENTS YAGEO |

06624-60028 40W Outputs 3 and 4 Board Assembly Parts List

| Reference Designator | QTY | Agilent P/N | Description | MPN | Manufacturer |
|----------------------|-----|-------------|---|--|---------------------------------------|
| R2 | 1 | 0699-3941 | RESISTOR 511 +-1pct .063W TKF TC=0+-200 | CRCW0603511RFKE_ RK73H1JT_5110F 232270465111L MCR03__FX5110 | VISHAY KOA YAGEO ROHM |
| R20 | 1 | 0699-3998 | RESISTOR 162K +-1pct .063W TKF TC=0+-200 | CRCW0603162KFKE_ RK73H1JT_1623F MCR03__FX1623 232270461624 | VISHAY KOA ROHM YAGEO |
| R21 | 1 | 0699-4002 | RESISTOR 237K +-1pct .063W TKF TC=0+-200 | RK73H1JT_2373F MCR03__FX2373 232270462374 | KOA ROHM YAGEO |
| R23 | 1 | 0699-3936 | RESISTOR 316 +-1pct .063W TKF TC=0+-200 | CRCW0603316RFKE_ RK73H1JT_3160F 232270463161L MCR03__FX3160 | VISHAY KOA YAGEO ROHM |
| R29,R31,R33,R34 | 4 | 0699-3982 | RESISTOR 31.6K +-1pct .063W TKF TC=0+-200 | CRCW060331K6FKE_ RK73H1JT_3162F 2322704X3163L MCR03__FX3162 | VISHAY KOA YAGEO ROHM |
| R3 | 1 | 0699-2776 | RESISTOR-FXD 1 OHM +-5PCT 0.25W TC=0+-250 | MCR18__J1R0 232272461008 | ROHM YAGEO |
| R3,R44,R50,R52 | 4 | 0699-3987 | RESISTOR 51.1K +-1pct .063W TKF TC=0+-200 | CRCW060351K1FKE_ CR16-5112-FL RK73H1JT_5112F 232270465113L MCR03__FX5112 | VISHAY ASJ KOA YAGEO ROHM |
| R300, 301 | 2 | 0686-4725 | RES-FXD 4.7K +-5PCT 0.5W CC TC 0 +647 | RC 1/24R7K5% | SEI ELECTRONICS |
| R302 | 1 | 0811-0610 | RESISTOR 56 +-5pct 5W PWI TC=0+-20 | RS-556 5 T5 | VISHAY TT ELECTRONICS |
| R303 | 1 | 0698-8911 | RESISTOR 1.3K +-0.1pct .125W TF TC=0+-25 | B0207E1K300B CMF-551301BT-9 | VISHAY BC COMPONENTS VISHAY |
| R304 | 1 | 0757-0403 | RESISTOR 121 +-1pct .125W TF TC=0+-100 | 5053HD121R0F CMF-551210FT-1 | VISHAY BC COMPONENTS VISHAY |

06624-60028 40W Outputs 3 and 4 Board Assembly Parts List

| Reference Designator | QTY | Agilent P/N | Description | MPN | Manufacturer |
|---|-----|-------------|---|---|---|
| R305, 309 | 2 | 0698-8672 | RESISTOR 243.4 +-0.1pct .125W TF TC=0+-25 | B0207E243R4B CMF-55243R4BT-9 | VISHAY BC COMPONENTS VISHAY |
| R306 | 1 | 0698-3700 | RESISTOR 715 +-1pct .125W TF TC=0+-100 | 5053HD715R0F CMF-557150FT-1 NK4H.125W1%+/- 100PPM715R0 | VISHAY BC COMPONENTS VISHAY E-SIL COMPONENTS |
| R307, 308, 313, 314, 329, 345, 361, R367, 402, 515 | 10 | 8159-0005 | RESISTOR 0 CWM | 106 L-2007-1 YZO 1/4 Z-25 Z25C | MICRO-OHM GETTIG ENGRG & MFG TT ELECTRONICS ASJ KOA |
| R310 | 1 | 0698-0085 | RESISTOR 2.61K +-1pct .25W TF TC=0+-100 | 5043ED2K610F CMF-552611FT-1 NK4H.25W1%+/- 100PPM2611 | VISHAY BC COMPONENTS VISHAY E-SIL COMPONENTS |
| R311, 387, 427 | 3 | 0698-4123 | RESISTOR 499 +-1pct .125W TF TC=0+-100 | 5053HD499R0F CMF-554990FT-1 NK4H.125W1%+/- 100PPM499R0 | VISHAY BC COMPONENTS VISHAY E-SIL COMPONENTS |
| R312 | 1 | 0757-0402 | RESISTOR 110 +-1pct .125W TF TC=0+-100 | 5053HD110R0F CMF-551100FT-1 NK4H.125W1%+/- 100PPM110R0 | VISHAY BC COMPONENTS VISHAY E-SIL COMPONENTS |
| R316, 317 | 2 | 0699-0208 | RES-FXD 1 OHM +-5PCT 0.25W CF TC 0+-300 | CF1/4-1R0J LCA0207 1 5% | ASJ VISHAY |
| R318 | 1 | 0757-0284 | RESISTOR 150 +-1pct .125W TF TC=0+-100 | 5053HD150R0F CMF-551500FT-1 NK4H.125W1%+/- 100PPM150R0 | VISHAY BC COMPONENTS VISHAY E-SIL COMPONENTS |
| R324, 325, 374 | 3 | 0757-0452 | RESISTOR 27.4K +-1pct .125W TF TC=0+-100 | 5053HD27K40F CMF-552742FT-1 NK4H.125W1%+/- 100PPM2742 | VISHAY BC COMPONENTS VISHAY E-SIL COMPONENTS |

06624-60028 40W Outputs 3 and 4 Board Assembly Parts List

| Reference Designator | QTY | Agilent P/N | Description | MPN | Manufacturer |
|---------------------------------------|-----|-------------|--|---|---|
| R326, 327 | 2 | 0757-0424 | RESISTOR 1.1K +-1pct .125W TF TC=0+-100 | 5053HD1K100F CMF-551101FT-1 NK4H.125W1%+/- 100PPM1101 | VISHAY BC COMPONENTS VISHAY E-SIL COMPONENTS |
| R333 | 1 | 0757-0410 | RESISTOR 301 +-1pct .125W TF TC=0+-100 | 5053HD301R0F CMF-553010FT-1 NK4H.125W1%+/- 100PPM301R0 | VISHAY BC COMPONENTS VISHAY E-SIL COMPONENTS |
| R335 | 1 | 0698-3215 | RESISTOR 499K +-1pct .125W TF TC=0+-100 | 5053HD499K0F CMF-554993FT-1 | VISHAY BC COMPONENTS VISHAY |
| R336, 340, 463 | 3 | 0698-3279 | RESISTOR 4.99K +-1pct .125W TF TC=0+-100 | 5053HD4K990F CMF-554991FT-1 NK4H.125W1%+/- 100PPM4991 | VISHAY BC COMPONENTS VISHAY E-SIL COMPONENTS |
| R337, 338, 378 | 3 | 0757-0438 | RESISTOR 5.11K +-1pct .125W TF TC=0+-100 | 5053HD5K110F CMF-555111FT-1 NK4H.125W1%+/- 100PPM5111 | VISHAY BC COMPONENTS VISHAY E-SIL COMPONENTS |
| R342, 466, 467, 469, 470, 479, 484 | 7 | 0699-0118 | RESISTOR 20K +-0.1pct .1W TF TC=0+-5 | PR1/10T520K0.1% PTF-5620K0BT-16 UXB0207-05 0,1% RP 20K | PRECISION RESISTIVE PRODUCTS VISHAY VISHAY BC COMPONENTS |
| R343 | 1 | 0698-8494 | RESISTOR 23.3K +-0.1pct .1W TF TC=0+-4 | 232214191509 PR1/10TC423K3.1% PTF-5623K3B | VISHAY BC COMPONENTS PRECISION RESISTIVE PRODUCTS VISHAY |
| R344, 391, 400, 434, 458, 468 | 6 | 0757-0442 | RESISTOR 10K +-1pct .125W TF TC=0+-100 | 5053HD10K00F CMF-551002FT-1 NK4H.125W1%+/- 100PPM1002 | VISHAY BC COMPONENTS VISHAY E-SIL COMPONENTS |
| R346 | 1 | 0698-5579 | RESISTOR 5K +-0.5pct .125W TF TC=0+-100 | B0207C5K000C CMF-555001DT-1 | VISHAY BC COMPONENTS VISHAY |
| R347, 365 | 2 | 0698-3329 | RESISTOR 10K +-0.5pct .125W TF TC=0+-100 | B0207C10K00D CMF-551002DT-1 | VISHAY BC COMPONENTS VISHAY |

06624-60028 40W Outputs 3 and 4 Board Assembly Parts List

| Reference Designator | QTY | Agilent P/N | Description | MPN | Manufacturer |
|--------------------------|-----|-------------|--|--|---|
| R348 | 1 | 0698-6533 | RESISTOR 12.5K +-0.1pct .125W TF TC=0+-25 | B0207E12K50B CMF-551252BT-9 | VISHAY BC COMPONENTS VISHAY |
| R349 | 1 | 0698-7929 | RESISTOR 9.09K +-0.1pct .125W TF TC=0+-50 | B0207C9K090B CMF-559091BT-2 | VISHAY BC COMPONENTS VISHAY |
| R350, 362, 435, 452, 502 | 5 | 0757-0283 | RESISTOR 2K +-1pct .125W TF TC=0+-100 | 5053HD2K000F CMF-552001FT-1 NK4H.125W1%+/- 100PPM2001 | VISHAY BC COMPONENTS VISHAY E-SIL COMPONENTS |
| R351 | 1 | 0698-4493 | RESISTOR 34K +-1pct .125W TF TC=0+-100 | 5053HD34K00F CMF-553402FT-1 NK4H.125W1%+/- 100PPM3402 | VISHAY BC COMPONENTS VISHAY E-SIL COMPONENTS |
| R352, 429, 430 | 3 | 0757-0439 | RESISTOR 6.81K +-1pct .125W TF TC=0+-100 | 5053HD6K810F CMF-556811FT-1 NK4H.125W1%+/- 100PPM6811 | VISHAY BC COMPONENTS VISHAY E-SIL COMPONENTS |
| R355 | 1 | 0698-3328 | RESISTOR 8.25K +-0.5pct .125W TF TC=0+-100 | B0207C8K250D CMF-558251DT-1 | VISHAY BC COMPONENTS VISHAY |
| R356, 442, 460 | 3 | 0698-8913 | RESISTOR 1.5M +-1pct .125W TF TC=0+-100 | CMF-551504FT-1 | VISHAY |
| R357 | 1 | 0699-0056 | RESISTOR 15K +-0.1pct .1W TF TC=0+-5 | PR1/10T515K0.1% PTF-5615K0BT-16 UXB0207-05 0,1% RP 15K | PRECISION RESISTIVE PRODUCTS VISHAY VISHAY BC COMPONENTS |
| R358, 476 | 2 | 0699-0088 | RESISTOR 1.21M +-1pct .125W TF TC=0+-100 | B0207C1M210F CMF-551214FT-1 | VISHAY BC COMPONENTS VISHAY |
| R359, 444 | 2 | 0699-0934 | RESISTOR 35.65K +-0.1pct .1W TF TC=0+-5 | PR1/10T535K65.1% PTF-5635K65BT-16 UXBA35K650B | PRECISION RESISTIVE PRODUCTS VISHAY VISHAY BC COMPONENTS |

06624-60028 40W Outputs 3 and 4 Board Assembly Parts List

| Reference Designator | QTY | Agilent P/N | Description | MPN | Manufacturer |
|----------------------|-----|-------------|---|---|---|
| R36,R37 | 2 | 0699-3947 | RESISTOR 1K +-1pct .063W TKF TC=0+-200 | CRCW06031K00FKE_ CR16-1001-FL RK73H1JT_1001F 2322704_1002L MCR03__FX1001 MC06031001-FT | VISHAY ASJ KOA YAGEO ROHM RCD COMPONENTS |
| R360 | 1 | 0757-0451 | RESISTOR 24.3K +-1pct .125W TF TC=0+-100 | 5053HD24K30F CMF-552432FT-1 NK4H.125W1%+/- 100PPM2432 | VISHAY BC COMPONENTS VISHAY E-SIL COMPONENTS |
| R363, 364 | 2 | 0757-0416 | RESISTOR 511 +-1pct .125W TF TC=0+-100 | 5053HD511R0F CMF-555110FT-1 NK4H.125W1%+/- 100PPM511R0 | VISHAY BC COMPONENTS VISHAY E-SIL COMPONENTS |
| R366 | 1 | 0757-0458 | RESISTOR 51.1K +-1pct .125W TF TC=0+-100 | 5053HD51K10F CMF-555112FT-1 NK4H.125W1%+/- 100PPM5112 | VISHAY BC COMPONENTS VISHAY E-SIL COMPONENTS |
| R372 | 1 | 0683-0335 | RESISTOR 3.3 +-5PCT .25W CF TC=0-400 | CF 14 3R 5% CF1/4C___3R3J | ASJ KOA |
| R373 | 1 | 0698-4470 | RESISTOR 6.98K +-1pct .125W TF TC=0+-100 | 5053HD6K980F CMF-55698FT-1 NK4H.125W1%+/- 100PPM6981 | VISHAY BC COMPONENTS VISHAY E-SIL COMPONENTS |
| R375 | 1 | 0686-5615 | RESISTOR 560 +-5pct .5W CC TC=0+529 | | |
| R376, 386 | 2 | 0686-2225 | RESISTOR 2.2K +-5pct .5W CC TC=0+647 | | |
| R377, 404 | 2 | 0698-4446 | RESISTOR 267 +-1pct .125W TF TC=0+-100 | 5053HD267R0F CMF-552670FT-1 NK4H.125W1%+/- 100PPM267R0 | VISHAY BC COMPONENTS VISHAY E-SIL COMPONENTS |
| R379 | 1 | 0698-5347 | RESISTOR 495.5 +-0.1pct .125W TF TC=0+-25 | B0207E495R5B CMF-55495R5BT-9 | VISHAY BC COMPONENTS VISHAY |

06624-60028 40W Outputs 3 and 4 Board Assembly Parts List

| Reference Designator | QTY | Agilent P/N | Description | MPN | Manufacturer |
|---------------------------------------|-----|-------------|---|---|--|
| R38,R39 | 2 | 0699-3966 | RESISTOR 6.81K +-1pct .063W TKF TC=0+-200 | CRCW06036K81FKE_ RK73H1JT_6811F MCR03__FX6811 232270466812 | VISHAY KOA ROHM YAGEO |
| R380 | 1 | 0698-4416 | RESISTOR 169 +-1pct .125W TF TC=0+-100 | 5053HD169R0F CMF-551690FT-1 NK4H.125W1%+/- 100PPM169R0 | VISHAY BC COMPONENTS VISHAY E-SIL COMPONENTS |
| R381 | 1 | 0698-3486 | RESISTOR 232 +-1pct .125W TF TC=0+-100 | 5053HD232R0F CMF-552320FT-1 NK4H.125W1%+/- 100PPM232R0 | VISHAY BC COMPONENTS VISHAY E-SIL COMPONENTS |
| R382 | 1 | 0757-0465 | RESISTOR 100K +-1pct .125W TF TC=0+-100 | 5053HD100K0F CMF-551003FT-1 NK4H.125W1%+/- 100PPM1003 | VISHAY BC COMPONENTS VISHAY E-SIL COMPONENTS |
| R383, 384, 398, 439, 445, 451, 506 | 7 | 0757-0280 | RESISTOR 1K +-1pct .125W TF TC=0+-100 | 5053HD1K000F CMF-551001FT-1 NK4H.125W1%+/- 100PPM1001 | VISHAY BC COMPONENTS VISHAY E-SIL COMPONENTS |
| R385 | 1 | 0812-0098 | RESISTOR 135 +-5pct 5W PWI TC=0+-20 | RS-51355% T5 | VISHAY TT ELECTRONICS |
| R388, 406 | 2 | 0683-4715 | RESISTOR 470 +-5pct .25W CF TC=0-400 | CF 14 47R 5% R25X-J-471 | ASJ ROHM |
| R389 | 1 | 0698-5088 | RESISTOR 12K +-1pct .125W TF TC=0+-100 | CMF-551202FT-1 5053HD12K00F NK4H.125W1%+/- 100PPM1202 | VISHAY VISHAY BC COMPONENTS E-SIL COMPONENTS |
| R392, 449 | 2 | 0757-0282 | RESISTOR 221 +-1pct .125W TF TC=0+-100 | 5053HD221R0F CMF-552210FT-1 NK4H.125W1%+/- 100PPM221R0 | VISHAY BC COMPONENTS VISHAY E-SIL COMPONENTS |

06624-60028 40W Outputs 3 and 4 Board Assembly Parts List

| Reference Designator | QTY | Agilent P/N | Description | MPN | Manufacturer |
|----------------------|-----|-------------|--|--|--|
| R393, 419 | 2 | 0698-4435 | RESISTOR 2.49K +-1pct .125W TF TC=0+-100 | 5053HD2K490F CMF-552491FT-1 NK4H.125W1%+/- 100PPM2491 | VISHAY BC COMPONENTS VISHAY E-SIL COMPONENTS |
| R394 | 1 | 0757-0473 | RESISTOR 221K +-1pct .125W TF TC=0+-100 | 5053HD221K0F CMF-552213FT-1 NK4H.125W1%+/- 100PPM2213 | VISHAY BC COMPONENTS VISHAY E-SIL COMPONENTS |
| R395 | 1 | 0757-0431 | RESISTOR 2.43K +-1pct .125W TF TC=0+-100 | 5053HD2K430F CMF-552431FT-1 NK4H.125W1%+/- 100PPM2431 | VISHAY BC COMPONENTS VISHAY E-SIL COMPONENTS |
| R396 | 1 | 0757-0200 | RESISTOR 5.62K +-1pct .125W TF TC=0+-100 | 5053HD5K620F CMF-555621FT-1 NK4H.125W1%+/- 100PPM5621 | VISHAY BC COMPONENTS VISHAY E-SIL COMPONENTS |
| R397 | 1 | 0757-0481 | RESISTOR 475K +-1pct .125W TF TC=0+-100 | 5053HD475K0F CMF-554753FT-1 | VISHAY BC COMPONENTS VISHAY |
| R399, 465 | 2 | 0757-0464 | RESISTOR 90.9K +-1pct .125W TF TC=0+-100 | 5053HD90K90F CMF-559092FT-1 NK4H.125W1%+/- 100PPM9092 | VISHAY BC COMPONENTS VISHAY E-SIL COMPONENTS |
| R401 | 1 | 0757-0397 | RESISTOR 68.1 +-1pct .125W TF TC=0+-100 | 5053HD68R10F CMF-5568R1FT-1 NK4H.125W1%+/- 100PPM68R1 | VISHAY BC COMPONENTS VISHAY E-SIL COMPONENTS |
| R405 | 1 | 0698-5089 | RESISTOR 33K +-1pct .125W TF TC=0+-100 | CMF-553302FT-1 5053HD33K00F NK4H.125W1%+/- 100PPM3302 | VISHAY VISHAY BC COMPONENTS E-SIL COMPONENTS |
| R407 | 1 | 0811-3751 | RES-FXD 0.07 OHM +- 5PCT 2W TC 0+-300 | 0811-3751 2PLW-2-R070-J-727A | CHARLES T GAMBLE INDUSTRIES TT ELECTRONICS |

06624-60028 40W Outputs 3 and 4 Board Assembly Parts List

| Reference Designator | QTY | Agilent P/N | Description | MPN | Manufacturer |
|----------------------|-----|-------------|---|---|--|
| R411 | 1 | 0811-1801 | RES-FXD 490OHM +-5PCT 3W PWI TC 0+-20 | RS-24905% T2B-79-490R-5% | VISHAY TT ELECTRONICS |
| R412 | 1 | 0699-1972 | RESISTOR 1.74M +-1pct .125W TF TC=0+-100 | B0207C1M740F CMF-551744FT-1 | VISHAY BC COMPONENTS VISHAY |
| R418 | 1 | 0757-0469 | RESISTOR 150K +-1pct .125W TF TC=0+-100 | 5053HD150K0F CMF-551503FT-1 NK4H.125W1%+/- 100PPM1503 | VISHAY BC COMPONENTS VISHAY E-SIL COMPONENTS |
| R42 | 1 | 0699-3968 | RESISTOR 8.25K +-1pct .063W TKF TC=0+-200 | CRCW06038K25FKE_ RK73H1JT_8251F MCR03__FX8251 232270468252 | VISHAY KOA ROHM YAGEO |
| R420 | 1 | 0683-3305 | RESISTOR 33 +-5pct .25W CF TC=0-400 | CF 14 33 5% | ASJ |
| R421, 432, 481, 488 | 4 | 0698-3449 | RESISTOR 28.7K +-1pct .125W TF TC=0+-100 | 5053HD28K70F CMF-552872FT-1 NK4H.125W1%+/- 100PPM2872 | VISHAY BC COMPONENTS VISHAY E-SIL COMPONENTS |
| R422, 431, 450, 455 | 4 | 0698-8827 | RESISTOR 1M +-1pct .125W TF TC=0+-100 | 5053HD1M000F CMF-551004FT-1 | VISHAY BC COMPONENTS VISHAY |
| R423, 496, 498 | 3 | 0757-0401 | RESISTOR 100 +-1pct .125W TF TC=0+-100 | 5053HD100R0F CMF-551000FT-1 | VISHAY BC COMPONENTS VISHAY |
| R425 | 1 | 0757-0413 | RES-FXD 392 +-1PCT .6W TC 0+-100 | 5053HD392R0F CMF-553920FT-1 NK4H.125W1%+/- 100PPM392R0 | VISHAY BC COMPONENTS VISHAY E-SIL COMPONENTS |
| R426 | 1 | 0757-0427 | RESISTOR 1.5K +-1pct .125W TF TC=0+-100 | 5053HD1K500F CMF-551501FT-1 NK4H.125W1%+/- 100PPM1501 | VISHAY BC COMPONENTS VISHAY E-SIL COMPONENTS |
| R428 | 1 | 0757-0405 | RESISTOR 162 +-1pct .125W TF TC=0+-100 | 5053HD162R0F CMF-551620FT-1 NK4H.125W1%+/- 100PPM162R0 | VISHAY BC COMPONENTS VISHAY E-SIL COMPONENTS |

06624-60028 40W Outputs 3 and 4 Board Assembly Parts List

| Reference Designator | QTY | Agilent P/N | Description | MPN | Manufacturer |
|----------------------|-----|-------------|--|--|---|
| R43,R46 | 2 | 0699-3977 | RESISTOR 19.6K +-1pct .063W TKF TC=0+-200 | CRCW060319K6FKE_ RK73H1JT_1962F MCR03___FX1962 | VISHAY KOA ROHM |
| R433 | 1 | 0757-0290 | RESISTOR 6.19K +-1pct .125W TF TC=0+-100 | 5053HD6K190F CMF-556191FT-1 | VISHAY BC COMPONENTS VISHAY |
| R436, 461 | 2 | 0683-4735 | RESISTOR 47K +-5pct .25W CF TC=0-400 | CF 14 47 5% R25X-J-473 | ASJ ROHM |
| R437, 446, 453 | 3 | 0698-4480 | RESISTOR 15.8K +-1pct .125W TF TC=0+-100 | 5053HD15K80F CMF-551582FT-1 NK4H.125W1%+/- 100PPM1582 | VISHAY BC COMPONENTS VISHAY E-SIL COMPONENTS |
| R438 | 1 | 0698-3156 | RESISTOR 14.7K +-1pct .125W TF TC=0+-100 | 5053HD14K70F CMF-551472FT-1 NK4H.125W1%+/- 100PPM1472 | VISHAY BC COMPONENTS VISHAY E-SIL COMPONENTS |
| R440 | 1 | 0699-0811 | RESISTOR 33K +-0.1pct .125W TF TC=0+-5 | PR1/8 PTF-5633K0BT-16 UXEA33K000B | PRECISION RESISTIVE PRODUCTS VISHAY VISHAY BC COMPONENTS |
| R441, 443 | 2 | 0698-6414 | RESISTOR 1K +-0.1pct .1W TF TC=0+-5 | PR 1/10T51K0.1% PTF-561K0BT-16 UXB0207-05 0,1% RP 1K | PRECISION RESISTIVE PRODUCTS VISHAY VISHAY BC COMPONENTS |
| R447 | 1 | 0757-0440 | RESISTOR 7.5K +-1pct .125W TF TC=0+-100 | 5053HD7K500F CMF-557501FT-1 NK4H.125W1%+/- 100PPM7501 | VISHAY BC COMPONENTS VISHAY E-SIL COMPONENTS |
| R448 | 1 | 0757-0462 | RESISTOR 75K +-1pct .125W TF TC=0+-100 | 5053HD75K00F CMF-557502FT-1 NK4H.125W1%+/- 100PPM7502 | VISHAY BC COMPONENTS VISHAY E-SIL COMPONENTS |
| R45 | 1 | 0699-7524 | RES-FXD 16.9K +-1PCT 0.063W TC 0+-100 0603 | RK73H1JL___1692F CRCW060316K9FKE_ | KOA VISHAY |

06624-60028 40W Outputs 3 and 4 Board Assembly Parts List

| Reference Designator | QTY | Agilent P/N | Description | MPN | Manufacturer |
|----------------------|-----|-------------|---|---|--|
| R454 | 1 | 0699-0953 | RESISTOR 15.4K +-0.1PCT .125W TF TC=0+-50 | B0207C15K40B CMF-551542BT-2 | VISHAY BC COMPONENTS VISHAY |
| R456 | 1 | 0698-0087 | RESISTOR 316 +-1pct .25W TF TC=0+-100 | CMF-603160FT-1 MBB0207C3160F H4316RFZ | VISHAY VISHAY BC COMPONENTS TYCO INTERNATIONAL |
| R457 | 1 | 0811-2553 | RESISTOR 7.5 +-5PCT 2W PWI TC=0+-400 | SPH | TT ELECTRONICS |
| R459, 499, 513 | 3 | 0757-0446 | RESISTOR 15K +-1pct .125W TF TC=0+-100 | 5053HD15K00F CMF-551502FT-1 NK4H.125W1%+/- 100PPM1502 | VISHAY BC COMPONENTS VISHAY E-SIL COMPONENTS |
| R462 | 1 | 0757-0288 | RESISTOR 9.09K +-1pct .125W TF TC=0+-100 | 5053HD9K090F CMF-559091FT-1 NK4H.125W1%+/- 100PPM9091 | VISHAY BC COMPONENTS VISHAY E-SIL COMPONENTS |
| R464 | 1 | 0757-0455 | RESISTOR 36.5K +-1pct .125W TF TC=0+-100 | 5053HD36K50F CMF-553652FT-1 NK4H.125W1%+/- 100PPM3652 | VISHAY BC COMPONENTS VISHAY E-SIL COMPONENTS |
| R47 | 1 | 0699-3984 | RESISTOR 38.3K +-1pct .063W TKF TC=0+-200 | CRCW060338K3FKE_ RK73H1JT_3832F MCR03__FX3832 232270463833 | VISHAY KOA ROHM YAGEO |
| R471 | 1 | 0699-0070 | RESISTOR 3.16M +-1pct .125W TF TC=0+-100 | B0207C3M160F CMF-553164FT-1 | VISHAY BC COMPONENTS VISHAY |
| R472 | 1 | 0699-0388 | RESISTOR 500K +-0.1pct .125W TF TC=0+-50 | B0207C500K0B CMF-55500K0B | VISHAY BC COMPONENTS VISHAY |
| R473 | 1 | 0757-0124 | RESISTOR 39.2K +-1pct .125W TF TC=0+-100 | CMF-553922FT-1 5053HD39K20F NK4H.125W1%+/- 100PPM3922 | VISHAY VISHAY BC COMPONENTS E-SIL COMPONENTS |
| R474 | 1 | 0698-7842 | RESISTOR 26.1K +-0.1pct .125W TF TC=0+-25 | B0207E26K10B CMF-552612BT-9 | VISHAY BC COMPONENTS VISHAY |
| R475 | 1 | 0683-8235 | RESISTOR 82K +-5pct .25W CF TC=0-400 | CF 14 82 5% | ASJ |

06624-60028 40W Outputs 3 and 4 Board Assembly Parts List

| Reference Designator | QTY | Agilent P/N | Description | MPN | Manufacturer |
|----------------------|-----|-------------|---|--|---|
| R477 | 1 | 0698-5090 | RESISTOR 43K +-1pct .125W TF TC=0+-100 | CMF-554302FT-1 5053HD43K00F NK4H.125W1%+/- 100PPM4302 | VISHAY VISHAY BC COMPONENTS E-SIL COMPONENTS |
| R478 | 1 | 0698-4477 | RESISTOR 10.5K +-1pct .125W TF TC=0+-100 | 5053HD10K50F CMF-551052FT-1 NK4H.125W1%+/- 100PPM1052 | VISHAY BC COMPONENTS VISHAY E-SIL COMPONENTS |
| R48 | 1 | 0699-3924 | RES-FXD 100 +-1PCT .063W TKF TC=0+-200 | CRCW0603100RFKE_ CR16-1000-JL RK73H1JT_1000F MCR03__FX1000 232270461001 MC06031000-FT | VISHAY ASJ KOA ROHM YAGEO RCD COMPONENTS |
| R480, 485 | 2 | 0698-8093 | RESISTOR 40K +-0.1pct .1W TF TC=0+-5 | PR1/10T540K0.1% PTF-5640K0BT-16 UXBA40K000B | PRECISION RESISTIVE PRODUCTS VISHAY VISHAY BC COMPONENTS |
| R482, 486 | 2 | 0699-0107 | RESISTOR 4.75K +-0.1pct .125W TF TC=0+-25 | B0207E4K750B CMF-554751BT-9 | VISHAY BC COMPONENTS VISHAY |
| R483, 487 | 2 | 0683-7515 | RESISTOR 750 +-5pct .25W CF TC=0-400 | CF 14 75R 5% | ASJ |
| R489, 490, 508 | 3 | 0686-1065 | RESISTOR 10M +-5pct .5W CC TC=0+1059 | | |
| R491, 507 | 2 | 0683-0475 | RESISTOR 4.7 +-5pct .25W CF TC=0-400 | CF 1/4 C __ 4R7 J CF 14 4R 5% RC1/4 4R7 5% | KOA ASJ SEI ELECTRONICS |
| R492 | 1 | 0683-2225 | RES-FXD 2.2KOHM +-5PCT .25W TC 0-400 | CF1/4-222J CF1/4C__222J | ASJ KOA |
| R493 | 1 | 0757-0430 | RESISTOR 2.21K +-1pct .125W TF TC=0+-100 | 5053HD2K210F CMF-552211FT-1 NK4H.125W1%+/- 100PPM2211 | VISHAY BC COMPONENTS VISHAY E-SIL COMPONENTS |
| R494 | 1 | 0698-3430 | RESISTOR 21.5 +-1pct .125W TF TC=0+-100 | 5053HD21R50F CMF-5521R5FT-1 NK4H.125W1%+/- 100PPM21R5 | VISHAY BC COMPONENTS VISHAY E-SIL COMPONENTS |

06624-60028 40W Outputs 3 and 4 Board Assembly Parts List

| Reference Designator | QTY | Agilent P/N | Description | MPN | Manufacturer |
|----------------------|-----|-------------|---|---|--|
| R495 | 1 | 0757-0447 | RESISTOR 16.2K +-1pct .125W TF TC=0+-100 | 5053HD16K20F CMF-551622FT-1 NK4H.125W1%+/- 100PPM1622 | VISHAY BC COMPONENTS VISHAY E-SIL COMPONENTS |
| R497 | 1 | 0683-3915 | RES-FXD 390 OHM +-5PCT 0.25W TC 0-450 | CF 1/4-391J | ASJ |
| R5, R6 | 2 | 0699-1380 | RESISTOR 3.16K +-1pct .125W TKF TC=0+-100 | CRCW12063K16FKE_ RK73H2BT_3161F MCR18__F3161 232272463162 | VISHAY KOA ROHM YAGEO |
| R5,R6,R7,R8 | 4 | 0699-1382 | RESISTOR 3.83K +-1pct .125W TKF TC=0+-100 | CRCW12063K83FKE_ RK73H2BT_3831F MCR18__F3831 232272463832L | VISHAY KOA ROHM YAGEO |
| R500, 501 | 2 | 0757-0404 | RESISTOR 130 +-1pct .125W TF TC=0+-100 | 5053HD130R0F CMF-551300FT-1 NK4H.125W1%+/- 100PPM130R0 | VISHAY BC COMPONENTS VISHAY E-SIL COMPONENTS |
| R504 | 1 | 0683-1035 | RES-FXD 10K +-5PCT .25W CF TC 0-400 | CF1/4-103J LCA0207 10K 5% CF1/4C__103J | ASJ VISHAY KOA |
| R509, 512 | 2 | 0698-5663 | RESISTOR 330 +-1pct .125W TF TC=0+-100 | 5053HD330R0F CMF-553300FT-1 NK4H.125W1%+/- 100PPM330R0 | VISHAY BC COMPONENTS VISHAY E-SIL COMPONENTS |
| R51,R53 | 2 | 0699-3990 | RES-FXD 75K +-1PCT 0.063W TC 0+-200 0603 | CRCW060375K0FKE_ RK73H1JT_7502F MCR03__FX7502 2322704_7503 | VISHAY KOA ROHM YAGEO |
| R510 | 1 | 0757-0441 | RESISTOR 8.25K +-1pct .125W TF TC=0+-100 | 5053HD8K250F CMF-558251FT-1 NK4H.125W1%+/- 100PPM8251 | VISHAY BC COMPONENTS VISHAY E-SIL COMPONENTS |
| R511 | 1 | 0683-2725 | RESISTOR 2.7K +-5PCT .25W CF TC 0-400 | CF 1/4 C __ 272 J CF 14 2K 5% | KOA ASJ |

06624-60028 40W Outputs 3 and 4 Board Assembly Parts List

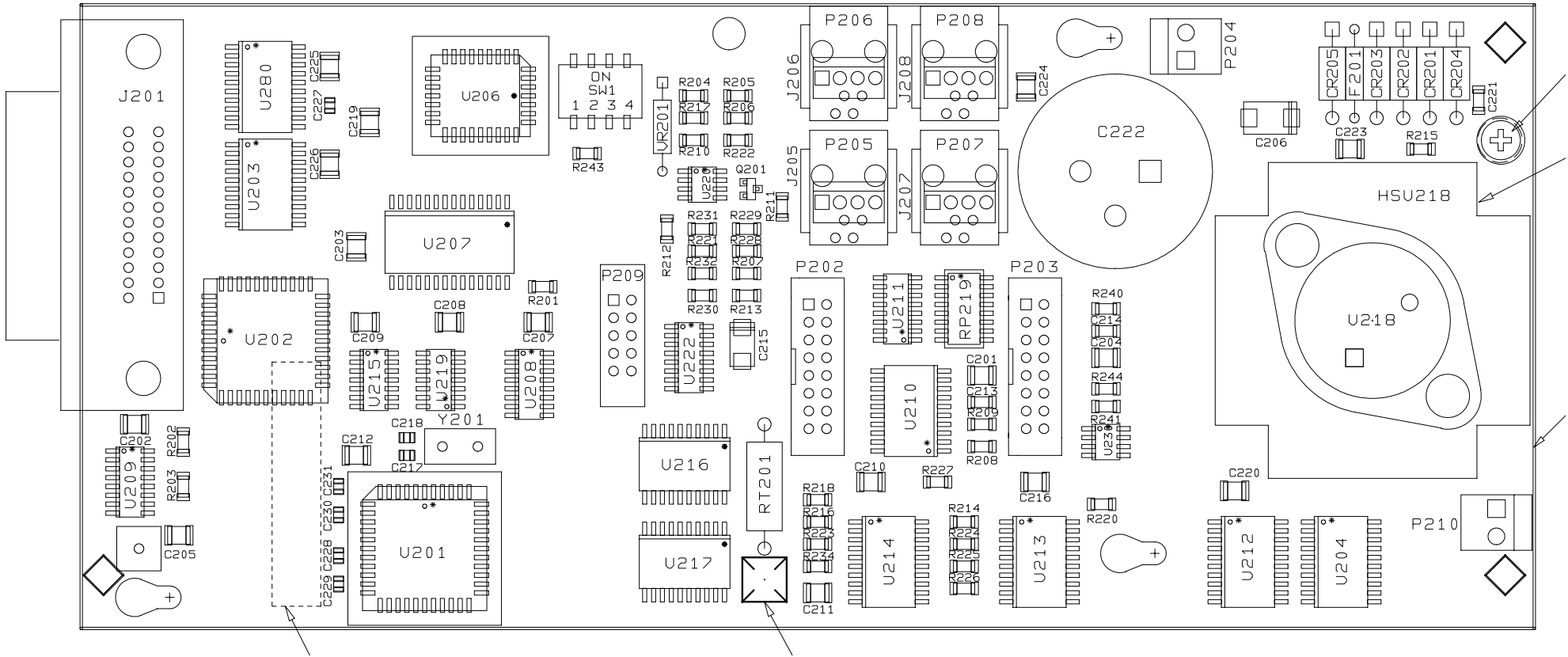
| Reference Designator | QTY | Agilent P/N | Description | MPN | Manufacturer |
|----------------------|-----|-------------|---|---|---|
| R514 | 1 | 0698-6631 | RES-FXD 2.5K +-0.1PCT 0.125W TC 0+-25 0207 | CMF-552501BT-9 MBB0207-25 0.1%__2.5K | VISHAY VISHAY BC COMPONENTS |
| R528 | 1 | 0698-6983 | RESISTOR 20.4K +-0.1pct .125W TF TC=0+-25 | B0207C20K40B CMF-552042BT-9 | VISHAY BC COMPONENTS VISHAY |
| R7 | 1 | 0699-1431 | RESISTOR 464 +-1pct .125W TKF TC=0+-100 | CRCW1206464RFKE_ RK73H2BT_4640F MCR18__F4640 232272464641 | VISHAY KOA ROHM YAGEO |
| R9,R10 | 2 | 0699-3962 | RESISTOR 4.22K +-1pct .063W TKF TC=0+-200 | CRCW06034K22FKE_ RK73H1JT_4221F MCR03__FX4221 232270464222 | VISHAY KOA ROHM YAGEO |
| REF F409 | 1 | 2110-0712 | FUSE-SUBMINIATURE 4A 125V NTD AX | 0251004 L | LITTELFUSE |
| REF PCA MOUNT | 3 | 0515-0374 | SCREW-MACHINE ASSEMBLY M3 X 0.5 10MM-LG | 69604-P4 829-08625-890 0515-0374 | ILLINOIS TOOL WORKS TEXTRON BOSSARD |
| REF Q001-3, 6 CR009 | 5 | 1400-1826 | CLIP-SPRING .5-WD SST ; CLIP-SPRING ; 0.500 I | 1400-1826 1400-1826 JAD090893-01 | EVS METAL HEAT TRACE AAVID THERMALLOY |
| REF Q001-3, 6 CR009 | 5 | 0515-0380 | SCREW-MACHINE ASSY M4 X 0.7 10MM-LG | 0515-0380 0515-0380 0515-0380 | BOSSARD ILLINOIS TOOL WORKS TEXTRON |
| REF Q321 | 1 | 1200-0181 | INSULATOR-XSTR NYLON WHITE | 7717-5N | AAVID THERMALLOY |
| REF U334 | 1 | 0403-0086 | BUMPER FOOT-PRS-IN .5-IN-MAX-ODBLK RBR | 4072-022 | STOCKWELL RUBBER |
| REF U335 | 1 | 1205-0862 | HEAT SINK | 1205-0862 | AAVID THERMALLOY |
| REF U335 | 1 | 0380-1704 | STANDOFF-RVT-ON 8-MM-LG M4.0 X 0.7-THD ; S | 0380-1704 21055B-B-0470-14 F 218 | LYN-TRON MITE LA CLUSIENNE |
| REF U338 | 2 | 5040-1672 | BUSHING SLEEVE | 20943 | MOS PLASTICS |
| REF U341 | 1 | 1858-0107 | TRANSISTOR ARRAY 14-PIN PLSTC TO-116 | MPQ7043 | CENTRAL SEMICONDUCTOR |
| REF V355 | 1 | 1826-0468 | IC PWR MGT-OV-V-SEN 2.3/37.8V 8 PINS | MC3423P1G | ON SEMICONDUCTOR |
| RT1 | 1 | 0837-0474 | THERMISTOR RECT CHIP 220K-OHM | NTHS1206N17220K5% | VISHAY |
| T100 | 1 | 5040-1619 | BOBBIN-INSIDE | | |
| T101 | 1 | 06033-40005 | BOBBIN | | |
| T102 | 1 | 5040-1613 | BOBBIN-CVR | | |

06624-60028 40W Outputs 3 and 4 Board Assembly Parts List

| Reference Designator | QTY | Agilent P/N | Description | MPN | Manufacturer |
|----------------------|-----|-------------|--|--|---|
| T103 | 2 | 9170-0815 | CORE-POT AL=8000-NH/TT | GP-11-EP-17-LA H5C2-EP17-A8000 B65845-J0000-Y038 | HITACHI TDK EPCOS |
| T104 | 1 | 5080-2035 | CLAMP-SPRING | | |
| T301 | 1 | 06624-80091 | XFMR-PULSE | | |
| TB001 | 1 | 0360-2195 | BARRIER BLOCK 6-TERM THRMP 2.309-IN-L | 277206-NL-R53-04 72806-49-45-C-M | COOPER INDUSTRIES AXSYS TECHNOLOGIES |
| U1,U2 | 2 | 1826-1528 | IC COMPARATOR LOW-POWER QUAD 14-SOIC | LM339DR LM339DT LM339DR2G LM339M/NOPB | TEXAS INSTRUMENTS STMICROELECTRONICS ON SEMICONDUCTOR NATIONAL SEMICONDUCTOR |
| U3 | 1 | 1826-2532 | IC PWR MGT-VS-SUPVR/CONT 8 PINS P-SOIC | TL7702BCD | TEXAS INSTRUMENTS |
| U300, LM317T | 1 | 5060-3212 | ASSY-HS 317T | | |
| U300a | 1 | 1205-0350 | HEAT SINK SGL PLSTC-PWR-CS | 6032B-TT | AAVID THERMALLOY |
| U300b | 1 | 1826-0393 | IC PWR MGT-V-REG-ADJ-POS 1.2/37V 3 PINS | LM317T-NOPB | NATIONAL SEMICONDUCTOR |
| U300c | 1 | 0361-1641 | EYELET-RLD-FLG .121-OD .187-LG .0095-THK | GS 4-6 STEEL-TIN PLATE | STIMPSON EDWIN B |
| U301, 1826-0527 | 1 | 5060-3260 | ASSY-HS, TO-220 | | |
| U301a | 1 | 0361-1641 | EYELET-RLD-FLG .121-OD .187-LG .0095-THK | GS 4-6 STEEL-TIN PLATE | STIMPSON EDWIN B |
| U301b | 1 | 1205-0707 | HEAT SINK SGL TO-220-CS | 507222B05300 | AAVID THERMALLOY |
| U301c | 1 | 1826-0527 | IC PWR MGT-V-REG-ADJ-NEG 1.2/37V 3 PINS | LM337T-NOPB | NATIONAL SEMICONDUCTOR |
| U302, LM317T | 1 | 5060-2942 | ASSY-HS 317T | | |
| U302, LM317Ta | 1 | 1205-0282 | HEAT SINK PLSTC-PWR-CS | 6025D | AAVID THERMALLOY |
| U302, LM317Tb | 1 | 1826-0393 | IC PWR MGT-V-REG-ADJ-POS 1.2/37V 3 PINS | LM317T-NOPB | NATIONAL SEMICONDUCTOR |
| U302, LM317Tc | 1 | 0361-1641 | EYELET-RLD-FLG .121-OD .187-LG .0095-THK | GS 4-6 STEEL-TIN PLATE | STIMPSON EDWIN B |
| U303, LM337Td | 1 | 1826-0527 | IC PWR MGT-V-REG-ADJ-NEG 1.2/37V 3 PINS | LM337T-NOPB | NATIONAL SEMICONDUCTOR |
| U310, 311 | 2 | 1990-0996 | OPTO-ISOLATOR LED-IC GATE IF=10MA-MAX | HCPL-2200 | AVAGO TECHNOLOGIES |
| U312 | 1 | 1820-4714 | IC-MPU SC84476P | | |
| U313, U321 | 2 | 1826-1488 | D/A 12-BIT 20 CMOS | | |
| U314 | 1 | 1826-1231 | D/A 8-DGT 20-PLASTIC CMOS | AD7528KNZ | ANALOG DEVICES |
| U315 | 1 | 1826-1553 | IC OP AMP PRCN QUAD 14 PIN DIP-P | LT1014DN | LINEAR TECHNOLOGY |
| U318 | 1 | 1826-1369 | IC PWR MGT-V-REF-FXD 9.95/10.05V 8 PINS | LT1021DCN8-10 | LINEAR TECHNOLOGY |
| U319 | 1 | 1826-0315 | IC OP AMP GP QUAD 14 PIN DIP-P | LM348N-NOPB | NATIONAL SEMICONDUCTOR |
| U320 | 1 | 1820-1216 | IC DCDR-DEMUXR TTL/LS BIN 3-TO-8-LINE | HD74LS138P MB74LS138M SN74LS138N | HITACHI FUJITSU TEXAS INSTRUMENTS |
| U323 | 1 | 1826-1021 | ANALOG MULTIPLEXER CHNL 16 -DIP-P | DG508ACJ ADG508AKNZ | VISHAY ANALOG DEVICES |
| U324 | 1 | 1826-1475 | IC COMPARATOR GP 8 PIN DIP-P | LT1011CN8 | LINEAR TECHNOLOGY |
| U325, 351 | 2 | 1826-0412 | IC COMPARATOR PRCN DUAL 8 PIN DIP-P | LM393NNOPB | NATIONAL SEMICONDUCTOR |

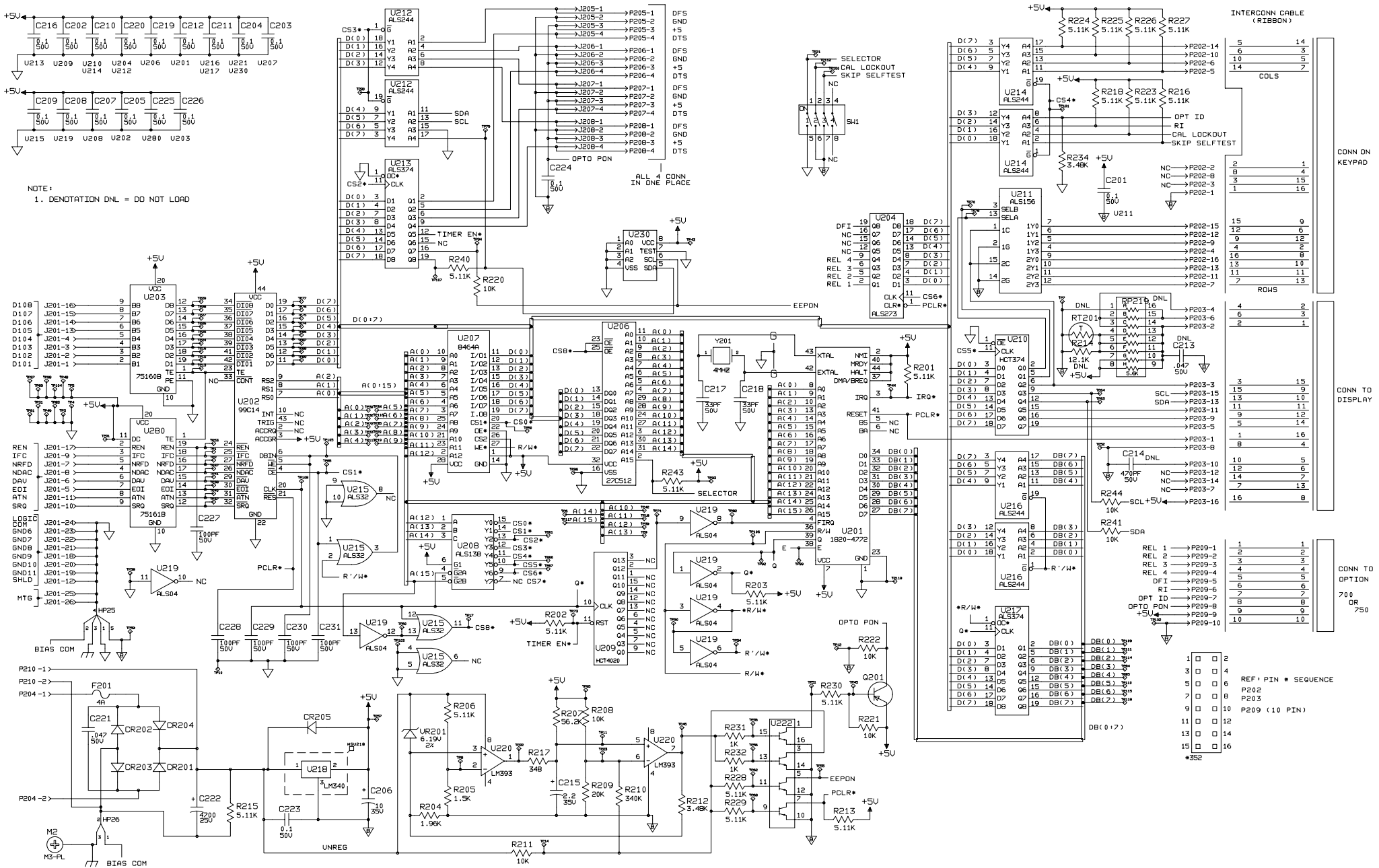
06624-60028 40W Outputs 3 and 4 Board Assembly Parts List

| Reference Designator | QTY | Agilent P/N | Description | MPN | Manufacturer |
|----------------------|-----|-------------|--|-------------------------------------|--|
| U326 | 1 | 1810-0639 | NET-RES 13 20.0K OHM 14-PIN | 4114R-64Z-203 MDP1401-203G | BOURNS VISHAY |
| U327 | 1 | 5065-7098 | ALPS-42 CHIP PCA | | |
| U334 | 1 | 1906-0349 | DIODE-FW BRDG 200V 6A | PB62 GBPC602-E4 | MICROSEMI VISHAY |
| U335 | 1 | 1906-0348 | DIODE-FW BRDG 200V 35A | GBPC3502 MB12A35V02 | VISHAY POWEREX |
| U335 | 1 | 0515-0981 | SCREW-MACH M4 X 0.7 25MM-LG PAN-HD ; SCR | 0515-0981 0515-0981 0515-0981 | ILLINOIS TOOL WORKS MID-CONTINENT SCREW PROD TEXTRON |
| U336, 340 | 2 | 1858-0088 | TRANSISTOR ARRAY 14-PIN PLSTC TO-116 | MPQ7093 | CENTRAL SEMICONDUCTOR |
| U337 | 1 | 1826-1843 | IC PWR MGT-V-REF-ADJ 0/36V 8 PINS DIP-P | TL431IP | TEXAS INSTRUMENTS |
| U338 | 2 | 0515-0906 | SCREW-MACH M4 X 0.7 50MM-LG PAN-HD ; SCR | 0515-0906 0515-0906 0515-0906 | ILLINOIS TOOL WORKS MID-CONTINENT SCREW PROD TEXTRON |
| U338 | 1 | 5060-3567 | ASSY-HEATSINK | | |
| U345-347, 350 | 4 | 1826-0493 | IC OP AMP LOW-BIAS-H-IMPD 8 PIN DIP-P | LT1008CN8 | LINEAR TECHNOLOGY |
| U348 | 1 | 1858-0083 | TRANSISTOR ARRAY 14-PIN PLSTC DIP | MPQ6002 | CENTRAL SEMICONDUCTOR |
| U352 | 1 | 1826-1409 | IC OP AMP LOW-NOISE DUAL 8 PIN DIP-P | LT1013CN8 | LINEAR TECHNOLOGY |
| U4 | 1 | 1821-5122 | IC PLD CPLD UNPRGMD CMOS 9536 | XC9536-15VQ44C | XILINX |
| U4a | 1 | 1855-1774 | TRANSISTOR MOSFET 2N7002K N-CHAN E-MOD | 2N7002K-_-E3 | VISHAY |
| VR305 | 1 | 1902-1377 | DIODE-ZNR 6.19V 2pct DO-35 PD=.4W | SZG30460RL | TAK CHEONG ELECTRONICS |
| VR306 | 1 | 1902-0182 | DIODE-ZNR 20.5V 5PCT PD=0.4W DO-35 | DZ730821K | MICROSEMI |
| VR315 | 1 | 1902-0057 | DIODE-ZNR 6.49V 5pct DO-35 PD=.4W | 1N5234B | MICRO COMMERCIAL COMPONENTS |
| VR390 | 1 | 1902-0766 | DIODE-ZNR 18.2V 5pct DO-35 PD=.4W | 1N5248B | MICRO COMMERCIAL COMPONENTS |
| Y300 | 1 | 0410-1627 | RESONATOR-CERAMIC 4.0MHZ TOL +-0.50PCT | CSALF4M00G55 | MURATA MANUFACTURING |



Agilent 6624A
System Power Supply, 40W, 4 Outputs

5063-3471
GPIB Board Assembly
Component Locator



NOTE:
1. DENOTATION DNL = DO NOT LOAD

5063-3471 GPIB Board Assembly Parts List

| Reference Designator | QTY | Agilent P/N | Description | MPN | Manufacturer |
|--|-----|-------------|---|---|---|
| C201, C202, C203, C204, C205, C207, C208, C209, C210, C211, C212, C216, C219, C220, C223, C224, C225, C226 | 18 | 0160-6222 | CAP-FXD 0.1uF +-10pct 50 V CER X7R | 12105C104KAT A C1210C104K5RAC C3225X7R1H104K GRM32MR71H104KA01L VJ1210Y104KXAMT | AVX KEMET ELECTRONICS TDK MURATA MANUFACTURING VISHAY |
| C206 | 1 | 0180-4287 | CAP-FXD 10uF +-20PCT 35V TA | 293D106X0035D2Y072 TAJD106M035 ESVD1V106M | VISHAY AVX NEC ELECTRONICS |
| C215 | 1 | 0180-3894 | CAP-FXD 2.2uF +-20PCT 35V TA | ESVC1V225M 293D225X0035C__E3 TAJC225M035R | NEC ELECTRONICS VISHAY AVX |
| C217, C218 | 2 | 0160-5959 | CAP-FXD 33pF +-5pct 50 V CER C0G | 08055A330JAT A C0805C330J5GAC C2012COG1H330J GRM2165C1H330JD01D | AVX KEMET ELECTRONICS TDK MURATA MANUFACTURING |
| C221 | 1 | 0160-6734 | CAP-FXD 0.047uF +-10pct 50 V CER X7R | 12065C473KAT A C1206C473K5RAC C3216X7R1H473K GRM319R71H473KD01L | AVX KEMET ELECTRONICS TDK MURATA MANUFACTURING |
| C222 | 1 | 0180-4350 | CAP-FXD 4700uF +30pct -10pct 25 V AL-ELCLTLT | 80D472P025JB5A | NIPPON CHEMI-CON |
| C228, C230, C231 | 3 | 0160-5967 | CAP-FXD 100pF +-5pct 50 V CER C0G | 08055A101JAT A C0805C101J5GAC C2012COG1H101J GRM2165C1H101JA01D VJ0805A101JXAMT | AVX KEMET ELECTRONICS TDK MURATA MANUFACTURING VISHAY |
| CR201, CR202, CR203, CR204, CR205 | 5 | 1901-0731 | DIODE-PWR RECT 400V 1A | 1N4004G 1901-0731 GP10G044 | ON SEMICONDUCTOR TEMIC TELEFUNKEN MICROELECTRON VISHAY |
| F201 | 1 | 2110-0712 | FUSE-SUBMINIATURE 4A 125V NTD AX | 0251004__L | LITTELFUSE |
| HSU218 | 1 | 1205-0886 | HEAT SINK SGL TO-3-CS | 576303B00000 | AAVID THERMALLOY |
| J201 | 1 | 1252-2161 | CONN-RECT MICRORBN 24-CKT 24-CONT | 5554923-2 | TYCO ELECTRONICS AMP |
| MEC1 | 1 | 0340-0884 | INSULATOR-XSTR THRM-CNDCT | 60-11-4511-1674 | PARKER HANNIFIN |
| MEC2 | 1 | 0380-0678 | STANDOFF-RVT-ON .25-IN-LG 6-32-THD ; STANDOFF-RIVET-ON ; 0.250 +-0.005 IN LONG; 6 THREAD ; SIZE; -32 THREAD | 0380-0678 0380-0678 9533B-B-0632-14 | GOE ENGINEERING LYN-TRON MITE |

5063-3471 GPIB Board Assembly Parts List

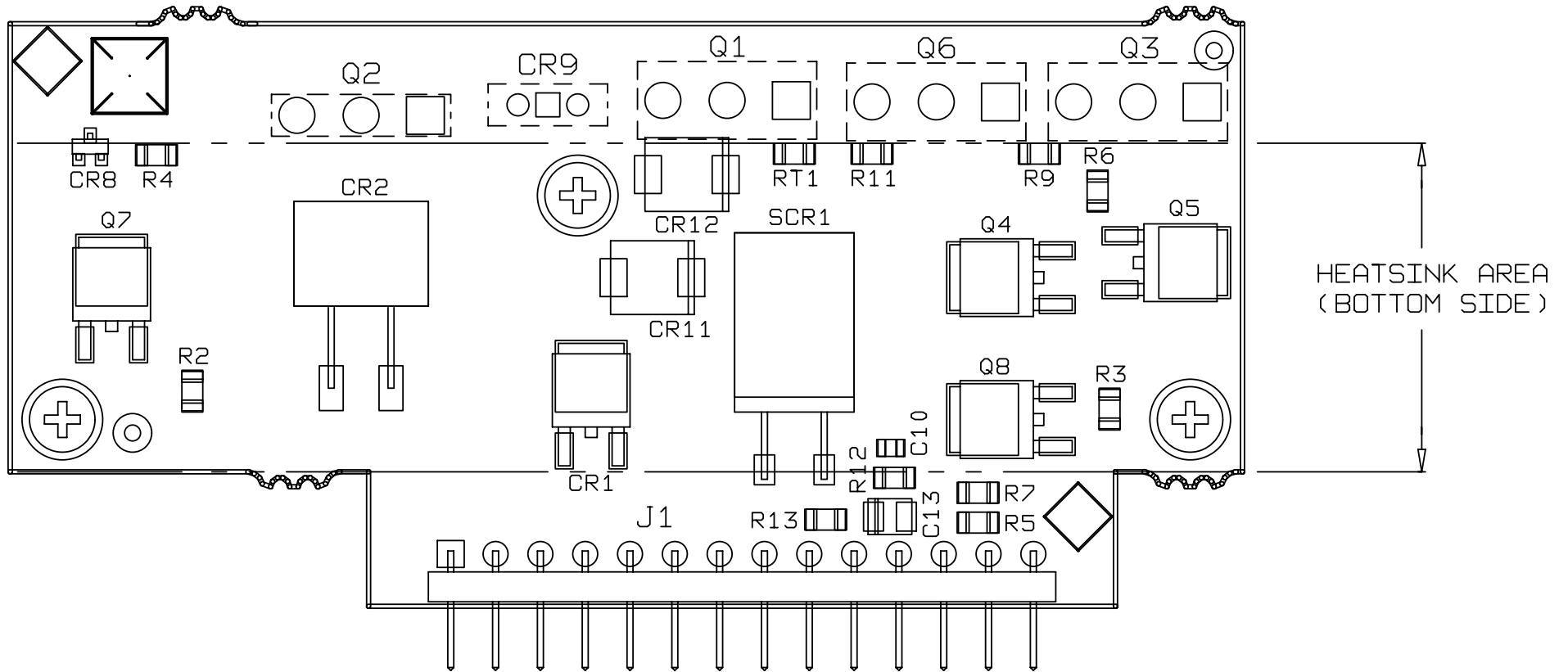
| Reference Designator | QTY | Agilent P/N | Description | MPN | Manufacturer |
|--|-----|-------------|---|---|---|
| MEC5, MEC6 | 2 | 0515-1105 | SCREW-MACH M3 X 0.5 10MM-LG PAN-HD ; SCREW-MACHINE ; M3.0 X 0.50; 10 MM LONG | 0515-1105 0515-1105 0515-1105 0515-1105 | ILLINOIS TOOL WORKS LINFAST FASTENERS MID-CONTINENT SCREW PROD TEXTRON |
| MEC7, MEC8 | 2 | 2190-0584 | WASHER-LK HLCL 3.0 3.1-MM-ID 6.2-MM-OD ; WASHER-LOCK | 2190-0584 | HOUSE OF METRICS |
| P202, P203 | 2 | 1251-8105 | CONN-HDR VERT 16-PIN 2.54MM 2-ROW | 52601-G16-4LF N2516-6002RB | FCI FRAMATOME BERG 3M |
| P204 | 1 | 1252-0761 | CONN-POST TYPE .156-PIN-SPCG-MTG-END | 640445-2 | TYCO ELECTRONICS AMP |
| P205, P206, P207, P208 | 4 | 1252-2493 | MODULAR PHONE RCPT PERPINDICULAR MOUNT | 5520257-2 | TYCO ELECTRONICS AMP |
| P209 | 1 | 1252-1152 | CONN-POST TYPE .100-PIN-SPCG-MTG-END | 68794-118 | FCI FRAMATOME BERG |
| Q201 | 1 | 1853-0567 | TRANSISTOR PNP SI SOT-23 (TO-236AB) | MMBT3906 SST3906T116 MMBT3906LT1G | FAIRCHILD SEMICONDUCTOR ROHM ON SEMICONDUCTOR |
| R201, R202, R203, R206, R213, R215, R216, R218, R223, R224, R225, R226, R227, R228, R229, R230, R240, R243 | 18 | 0699-1385 | RES-FXD 5.11K +-1PCT .125W TC 0+-100 | CRCW12065K11FKE_ RK73H2BT_5111F MCR18__F5111 232272465112L | VISHAY KOA ROHM YAGEO |
| R204 | 1 | 0699-1375 | RESISTOR 1.96K +-1pct .125W TKF TC=0+-100 | CRCW12061K96FKE_ RK73H2BT_1961F MCR18__F1961 232272461962L | VISHAY KOA ROHM YAGEO |
| R205 | 1 | 0699-1936 | RESISTOR 1.5K +-1pct .125W TKF TC=0+-100 | CRCW12061K50FKE_ RK73H2BT_1501F MCR18__F1501 232272461502 | VISHAY KOA ROHM YAGEO |
| R207 | 1 | 0699-1409 | RESISTOR 56.2K +-1pct .125W TKF TC=0+-100 | CRCW120656K2FKE_ RK73H2BT_5622F MCR18__F5622 232272465623 | VISHAY KOA ROHM YAGEO |
| R208, R211, R220, R221, R222, R241, R244 | 7 | 0699-1391 | RESISTOR 10K +-1pct .125W TKF TC=0+-100 | CRCW120610K0FKE_ RK73H2BT_1002F MCR18__F1002 232272461003L | VISHAY KOA ROHM YAGEO |

5063-3471 GPIB Board Assembly Parts List

| Reference Designator | QTY | Agilent P/N | Description | MPN | Manufacturer |
|----------------------|-----|-------------|--|--|--|
| R209 | 1 | 0699-2156 | RESISTOR 20K +-1pct .125W TKF TC=0+-100 | CRCW120620K0FKE_ RK73H2BT_2002F MCR18___F2002 232272462003 | VISHAY KOA ROHM YAGEO |
| R210 | 1 | 0699-1335 | RESISTOR 340K +-1pct .125W TKF TC=0+-100 | 232272463404 CRCW1206340KFKE_ RK73H2BT_3403F MCR18___F3403 | YAGEO VISHAY KOA ROHM |
| R212, R234 | 2 | 0699-1381 | RESISTOR 3.48K +-1pct .125W TKF TC=0+-100 | CRCW12063K48FKE_ RK73H2BT_3481F MCR18___F3481 232272463482 | VISHAY KOA ROHM YAGEO |
| R217 | 1 | 0699-1428 | RESISTOR 348 +-1pct .125W TKF TC=0+-100 | CRCW1206348RFKE_ RK73H2BT_3480F MCR18___F3480 232272463481 | VISHAY KOA ROHM YAGEO |
| R231, R232 | 2 | 0699-1318 | RESISTOR-FXD 1K OHM +-1PCT .25W TKF TC 0+- | RK73H2BT_1001F 232272461002L CRCW12061K00FKE_ MCR18___F1001 | KOA YAGEO VISHAY ROHM |
| SW1 | 1 | 3101-3148 | SWITCH-DIP SURF-MT-SL SPST 0.05A 6VDC | 90YY3274SGWT 219-4LPST_P | GRAYHILL CTS |
| U201 | 1 | 1820-4772 | IC ENHANCED 6800 W/ EXPANDED ADDRESSING | | |
| U202 | 1 | 1822-0639 | IC GPIB CONTROLLER | 14063-501 | AMIS SEMICONDUCTOR |
| U203 | 1 | 1820-6176 | IC INTERFACE XCVR BIPOLAR BUS OCTL | SN75ALS160DW | TEXAS INSTRUMENTS |
| U204 | 1 | 1820-4277 | IC FF TTL/ALS D-TYPE POS-EDGE-TRIG COM | DM74ALS273WMX SN74ALS273DW | FAIRCHILD SEMICONDUCTOR TEXAS INSTRUMENTS |
| U207 | 1 | 1818-4272 | IC 64K-BIT SRAM 100-NS CMOS | CY6264-70SNXC_ | CYPRESS SEMICONDUCTOR |
| U208 | 1 | 1820-4257 | IC DCDR-DEMUXR TTL/ALS BIN 3-TO-8-LINE | DM74ALS138MX SN74ALS138AD | FAIRCHILD SEMICONDUCTOR TEXAS INSTRUMENTS |
| U209 | 1 | 1820-5479 | IC CNTR CMOS/HCT BIN ASYNCHRO | 74HCT4020D 74HCT4020D | PHILIPS NXP |

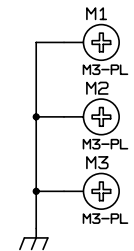
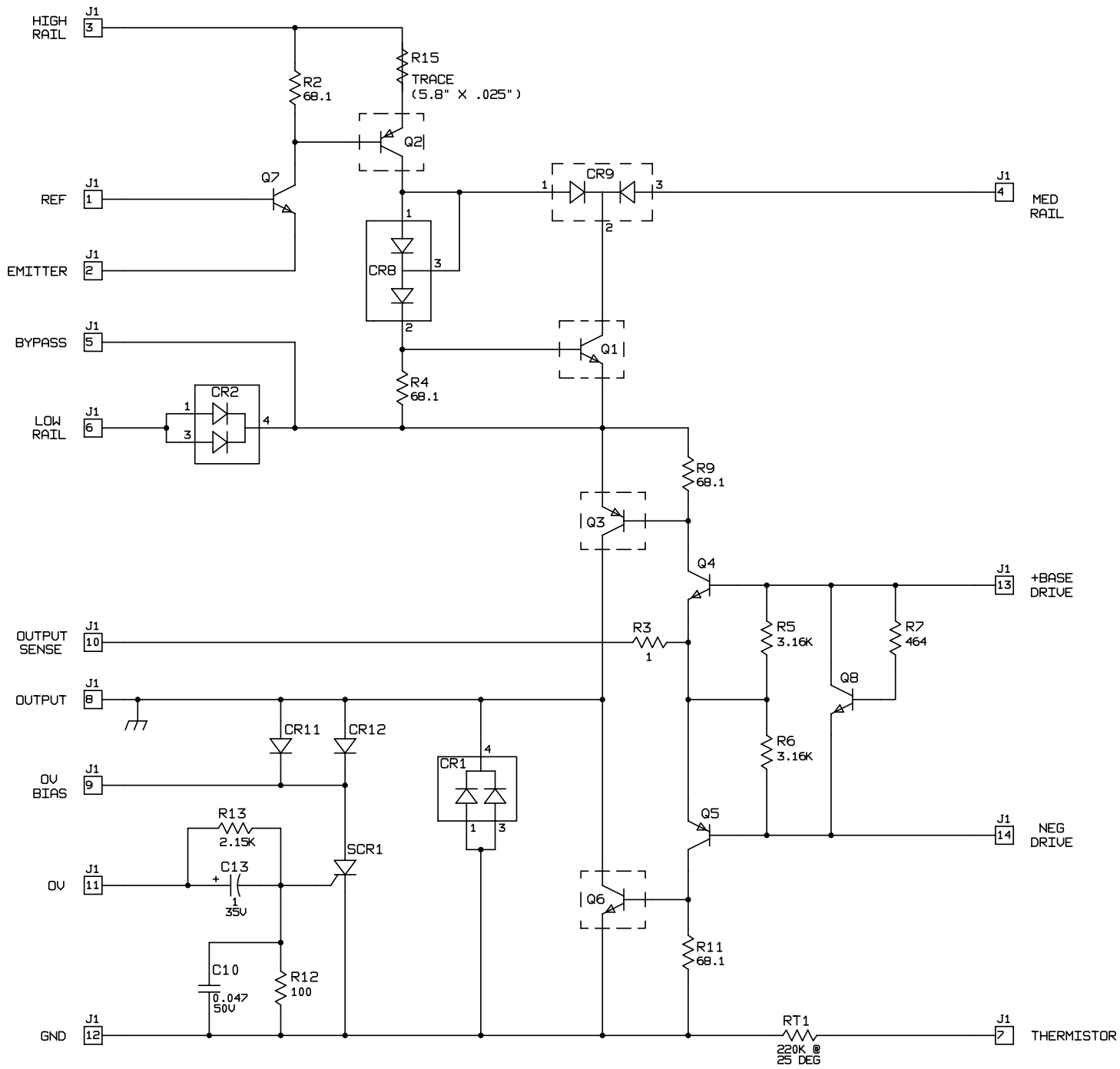
5063-3471 GPIB Board Assembly Parts List

| Reference Designator | QTY | Agilent P/N | Description | MPN | Manufacturer |
|----------------------|-----|-------------|---|--|---|
| U210 | 1 | 1820-6065 | IC FF CMOS/HCT D-TYPE POS-EDGE-TRIG COM | 74HCT374D SN74HCT374DW MC74HCT374ADW__G 74HCT374D | PHILIPS TEXAS INSTRUMENTS ON SEMICONDUCTOR NXP |
| U211 | 1 | 1820-6437 | IC DCDR-DEMUXR TTL/ALS BIN 2-TO-4-LINE | SN74ALS156D | TEXAS INSTRUMENTS |
| U212, U214, U216 | 3 | 1820-4788 | IC DRVR TTL/ALS BUS OCTL | DM74ALS244AWMX SN74ALS244CDW | FAIRCHILD SEMICONDUCTOR TEXAS INSTRUMENTS |
| U213, U217 | 2 | 1820-5002 | IC FF TTL/ALS D-TYPE POS-EDGE-TRIG COM | DM74ALS374WMX SN74ALS374ADW | FAIRCHILD SEMICONDUCTOR TEXAS INSTRUMENTS |
| U215 | 1 | 1820-4247 | IC GATE TTL/ALS OR QUAD 2-INP | DM74ALS32MX SN74ALS32D | FAIRCHILD SEMICONDUCTOR TEXAS INSTRUMENTS |
| U218 | 1 | 1820-0430 | IC PWR MGT-V-REG-FXD-POS 4.8/5.2V | LM309K STEEL-NOPB | NATIONAL SEMICONDUCTOR |
| U219 | 1 | 1820-4249 | IC INV TTL/ALS HEX | DM74ALS04BMX SN74ALS04BD | FAIRCHILD SEMICONDUCTOR TEXAS INSTRUMENTS |
| U220 | 1 | 1826-1572 | IC COMPARATOR PRCN DUAL 8 PIN PLSTC-SOIC | LM393D LM393DR2G | TEXAS INSTRUMENTS ON SEMICONDUCTOR |
| U222 | 1 | 1858-0112 | TRANSISTOR ARRAY 16-PIN PLSTC SURFACE | MMPQ2222A | FAIRCHILD SEMICONDUCTOR |
| U230 | 1 | 1818-6669 | IC 4K-BIT EEPROM 3.5-US CMOS 8-SOIC | 24WC04J M24C04-WMN6P | CATALYST SEMICONDUCTOR STMICROELECTRONICS |
| U280 | 1 | 1820-6814 | IC INTERFACE XCVR BIPOLAR INSTRUMENT BUS | SN75ALS161DW | TEXAS INSTRUMENTS |
| VR201 | 1 | 1902-1377 | DIODE-ZNR 6.19V 2pct DO-35 PD=.4W | SZG30460RL | TAK CHEONG ELECTRONICS |
| XU206 | 1 | 1200-1593 | SOCKET-IC-PLCC 32-CONT RECTGLR J-LEAD | 3-822516-7 69802-_32 | TYCO ELECTRONICS AMP FCI FRAMATOME BERG |
| Y201 | 1 | 0410-1627 | RESONATOR-CERAMIC 4.0MHZ TOL +-0.50PCT | CSALF4M00G55 | MURATA MANUFACTURING |
| | 1 | 5080-2540 | PRGMD-EPROM A-Q | | |
| | 1 | 0380-1679 | STDF-HEX HEAD | 0380-1679 0380-1679 | LYN-TRON UNICORP |



**Agilent 6624A
System Power Supply, 40W, 4 Outputs**

**5060-3566
Hybrid Board Assembly
Component Locator**



Agilent 6624A
System Power Supply, 40W, 4 Outputs

5060-3566
Hybrid Board Assembly
 Page 1 of 1

5060-3566 Hybrid Board Assembly Parts List

| Reference Designator | QTY | Agilent P/N | Description | MPN | Manufacturer |
|----------------------|-----|-------------|--|---|--|
| C10 | 1 | 0160-5944 | CAP-FXD 0.047uF +-10pct 50 V CER X7R | 08055C473KAT A C0805C473K5RAC C2012X7R1H473K | AVX KEMET ELECTRONICS TDK |
| C13 | 1 | 0180-3751 | CAP-FXD 1uF +-20PCT 35V TA | 293D105X0035B2E3 ESVB21V105M TAJB105M035 | VISHAY NEC ELECTRONICS AVX |
| CR11, CR12 | 2 | 1901-1421 | DIODE-PWR RECT 200V 3A 25NS DO-214AB | ES3D MURS320T3G | VISHAY ON SEMICONDUCTOR |
| CR2 | 1 | 1901-1420 | DIODE-PWR-S 60V 20A | MBRB2060CT_G | ON SEMICONDUCTOR |
| CR8 | 1 | 1906-0291 | DIODE-DUAL 70V 100MA T0-236AA | BAV99 BAV99 BAV99LT1G BAV99____X_ BAV99 | PHILIPS FAIRCHILD SEMICONDUCTOR ON SEMICONDUCTOR INFINEON TECHNOLOGIES NXP |
| J1 | 1 | 1252-3700 | CONN-POST TYPE .150-PIN-SPCG-MTG-END | | |
| Q4, Q7, Q8 | 3 | 1854-1173 | TRANSISTOR NPN SI TO-252AA PD=1.75W | KSH44H11TM MJD44H11G | FAIRCHILD SEMICONDUCTOR ON SEMICONDUCTOR |
| Q5 | 1 | 1853-0655 | TRANSISTOR PNP SI TO-252AA PD FT 40 MHZ TYP | KSH45H11 MJD45H11T4G | FAIRCHILD SEMICONDUCTOR ON SEMICONDUCTOR |
| R11, R2, R4, R9 | 4 | 0699-1364 | RESISTOR 68.1 +-1pct .125W TKF TC=0+-100 | CRCW120668R1FKE_ RK73H2BT_68R1F MCR18__F68R1 232272466819 | VISHAY KOA ROHM YAGEO |
| R12 | 1 | 0699-1415 | RESISTOR 100 +-1pct .125W TKF TC=0+-100 | CRCW1206100RFKE_ RK73H2BT_1000F MCR18__F1000 232272461001L | VISHAY KOA ROHM YAGEO |
| R13 | 1 | 0699-1376 | RESISTOR 2.15K +-1pct .125W TKF TC=0+-100 | CRCW12062K15FKE_ RK73H2BT_2151F MCR18__F2151 232272462152 | VISHAY KOA ROHM YAGEO |
| R3 | 1 | 0699-2776 | RESISTOR-FXD 1 OHM +-5PCT 0.25W TC=0+-250 3216 | MCR18__J1R0 232272461008 | ROHM YAGEO |

5060-3566 Hybrid Board Assembly Parts List

| | | | | | |
|--------|---|-----------|---|---|--------------------------------|
| R5, R6 | 2 | 0699-1380 | RESISTOR 3.16K +-1pct .125W TKF TC=0+-100 | CRCW12063K16FKE_ RK73H2BT_3161F MCR18___F3161 232272463162 | VISHAY KOA ROHM YAGEO |
| R7 | 1 | 0699-1431 | RESISTOR 464 +-1pct .125W TKF TC=0+-100 | CRCW1206464RFKE_ RK73H2BT_4640F MCR18___F4640 232272464641 | VISHAY KOA ROHM YAGEO |
| RT1 | 1 | 0837-0474 | THERMISTOR RECT CHIP 220K-OHM | NTHS1206N17220K5% | VISHAY |
| | 1 | 5080-2620 | 1884-0310, BENT | | |
| | 1 | 1906-0352 | DIODE-DUAL 200V 6A TO-252AA | MURD620CTG | ON SEMICONDUCTOR |

Manual Part Number: 5989-6871EN
Printed in U.S.A. April 2007
Copyright © 2007 Agilent Technologies, Inc. All Rights Reserved.

